

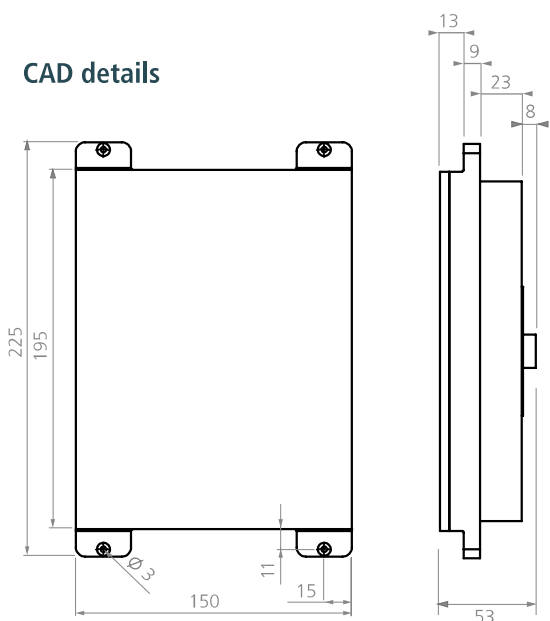


cerasonar 1520 fit

The cerasonar fit series is packaged in a very small form factor, allowing the installation in limited space; its entry level price point makes it particularly indicated for large volumes projects. The installation is extremely straightforward: it is required to make a cutout in the drywall panel, screw the speaker and plaster it over up to 2 mm.



CAD details



Technical specification

Power rating	25 w RMS / 50 w max
Impedance	8 ohms
Driver	1 exciter
Frequency range	100 - 18.000 hz*
Dispersion range	180° x 180° h.v.
max SPL	97 db
Dimensions	15 x 22,5 x 5,3 cm
Installation cut out	19,5 x 15 cm
Installation type	1-layer 12,5 mm plasterboard only
Features	for humid enviroments
Substructure profile spacing	min 20 cm, installation in the middle of the plasterboard to improve the bass response
Weight	0,3 kg



Installation Video:

Scan the QR code with your telephone to show the cerasonar installation video.



Warranty period

Cerasonar grants a 5-year functional warranty on speakers if the installation and setup protocol has been signed and registered with us. A cerasonar protection unit or the cs-500dsp4 amp with the respective preset is mandatory. Improper use or overloading may void the warranty.

Accessories

cerasonar template

The addition of a cerasonar template helps you to install the system even quicker. We recommend this for projects with larger quantities.

Dimensions

Size	TBD
------	-----

