

controlCUE-knx-d

Ethernet IP Enabled Controller with KNX and General I/O Ports



Main Features

- 1x KNX galvanically isolated control port
- 8x General I/O
- ARM® processor platform
- Internal RAM LPDDR 64 MB
- Internal flash 256 MB
- Onboard real time clock
- Front panel indicators
- Wired 10/100 BaseT LAN
- Power over Ethernet or 24 VDC power supply
- DIN rail plastic enclosure, width 4 modules
- Web server and Admin Web pages for setup

Description

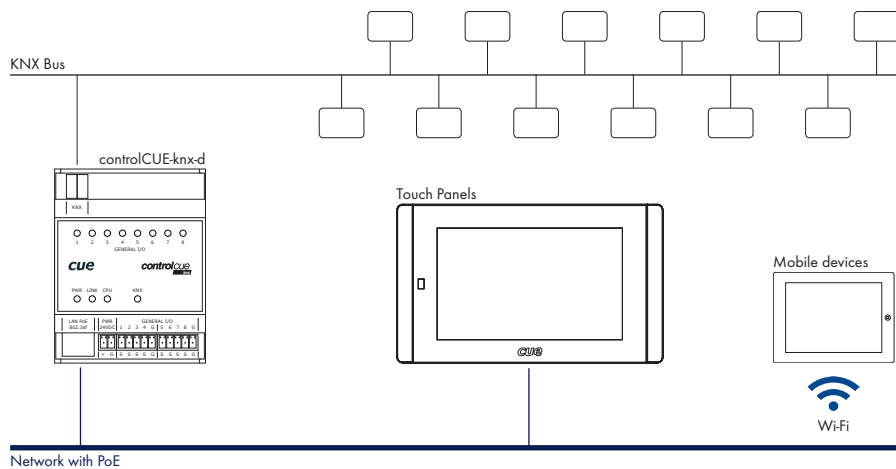
The controlCUE-knx-d is fully functional IP controller with KNX port and eight general I/O ports. Fully compatible with CUE touch panels, this controller provides bi-directional connection between Cue System and KNX network and it can work as standalone device.

KNX port is galvanically isolated and is capable of addressing and controlling up to 250 KNX objects. No polling is necessary because the unit is capable of sending live updates.

Single cable Ethernet connection provides easy network integration. The controller is equipped with Power over Ethernet (PoE) technology enabling an Ethernet network cable to deliver both data and power. The controller installs easily on a DIN rail or on a wall.

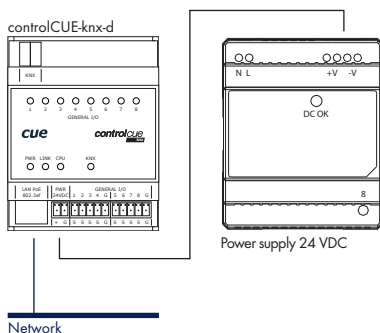
This controller comes complete with a web server and allows setup through a standard web browser. Unit programming is based on CUE's standard programming tool Cue Visual Composer.

Application Diagrams

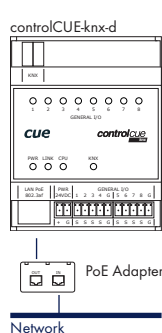


For connection to a network without PoE infrastructure, the local power supply can be used. There are two possibilities as described on the following pictures.

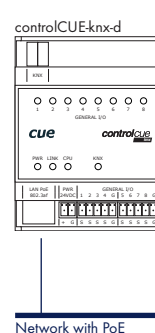
Power supply 24 VDC



PoE Adapter



For easy installation, the controller has integrated IEEE 802.3af PoE support, allowing installation in areas where PoE network infrastructure is installed.



controlCUE-knx-d



Ethernet IP Enabled Controller with KNX and General I/O Ports

Specifications

Control ports

- 1x KNX
 - 250 KNX addresses
 - Pluggable terminal block 2 x 4 push-wire connection, AWG 18-22
- 8x General I/O
 - Analog input 0 - 20 V, 12-bit A/D converter
 - Digital open collector output, max. 80 mA
 - Switchable pull-up 680 Ω to 5 V
 - Two 5-pin 3.5 mm connectors with common ground

LED indicators

- Blue Power - indicates power is presented and unit is ready.
- Green Link - indicates network link and activity.
- Yellow CPU - confirms the system default function is performed.
- Green / Red KNX - indicates KNX port send / receive.
- Green General I/O - indicates output is closed.

Button

- System Default sets default IP address and password.

Real time and date

- RTC with battery backup

Memory

- Internal RAM LPDDR 64 MB
- Internal non-volatile flash 256 MB

Software technologies

- Admin Web, XPL² Inside

System communication

- 10/100 BaseT Ethernet, RJ-45 connector

Power supply

- Power over Ethernet (PoE), IEEE 802.3af compatible
- 24 VDC (+/-20%), 3 W, 2-pin 3.5 mm connector

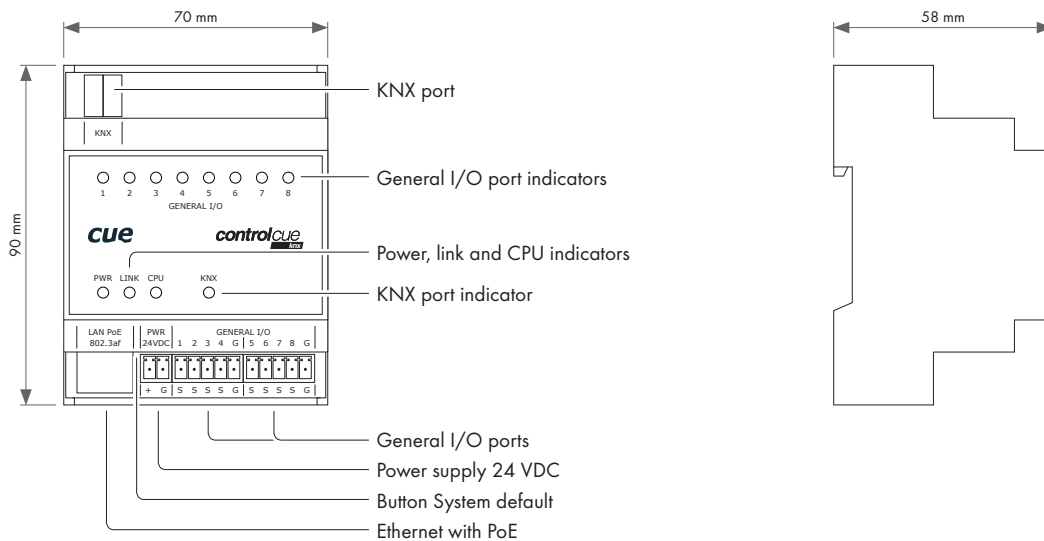
Physical

- DIN rail plastic enclosure compatible with DIN EN 50022
- Width 4 modules
- Dimensions 70 x 90 x 58 mm / 2.8" x 3.5" x 2.3"
- Weight 0.2 kg / 0.5 lb

Environment conditions

- Operating temperature 10° to 40° C
- Storage temperature 0° to 60° C
- Relative humidity 10% to 90% non-condensing

Mechanical Description



Box Contents

- Controller controlCUE-knx-d
- Connector set
- Ethernet cable
- Power supply
- Data Sheet
- Declaration of Conformity
- Cue System Connector Wiring Sheet

Order Information

Product code CS0455