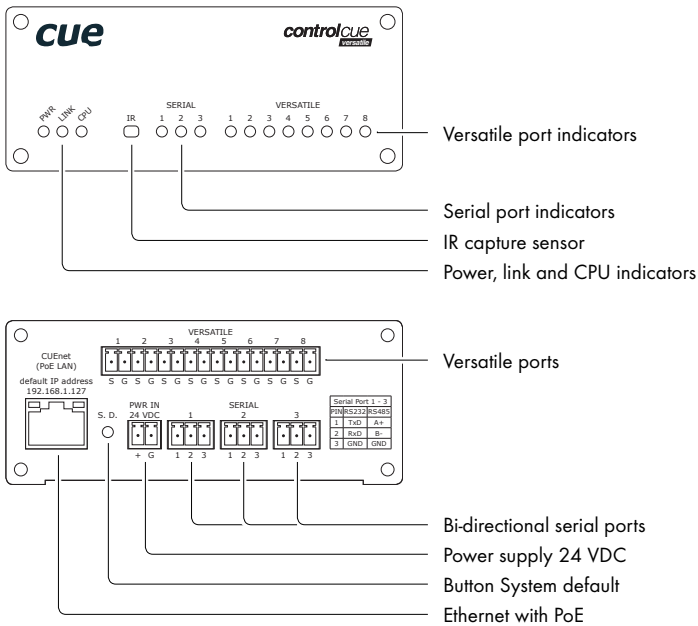


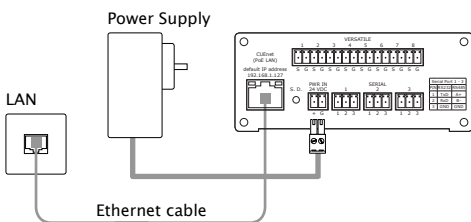
## Description



## Power Supply and LAN Connection

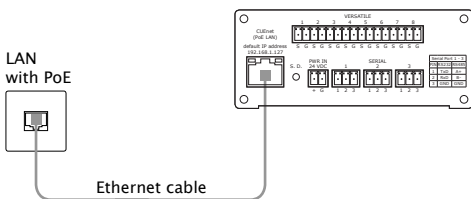
### Power Supply 24 VDC

Delivered power supply 24 VDC / 24 W can be used for areas without PoE infrastructure.



### PoE Power Supply

The integrated IEEE 802.3af PoE support allows installation in areas where PoE network infrastructure is installed.



## System Default Setup

When System Default button is pressed, the system default function is performed and setup is as follows

- IP address: 192.168.1.127
- IP Mask: 255.255.255.0
- Password: Empty (no input required)

## User Manual

Complete user manual can be downloaded here:

[http://www.cuesystem.com/user\\_manuals.aspx](http://www.cuesystem.com/user_manuals.aspx)

## Connector Pinouts

### PWR 24 VDC

| Pin | Description   |
|-----|---------------|
| +   | Power +24 VDC |
| G   | Ground        |

### SERIAL 1 - 3

| Pin | RS-232 | RS-485 |
|-----|--------|--------|
| 1   | TxD    | A+     |
| 2   | RxD    | B-     |
| 3   | Ground | Ground |

### VERSATILE 1 - 8

| Pin | Description          |
|-----|----------------------|
| 1 S | Versatile 1 - signal |
| 1 G | Ground               |
| 2 S | Versatile 2 - signal |
| 2 G | Ground               |
| 3 S | Versatile 3 - signal |
| 3 G | Ground               |
| 4 S | Versatile 4 - signal |
| 4 G | Ground               |

| Pin | Description          |
|-----|----------------------|
| 5 S | Versatile 5 - signal |
| 5 G | Ground               |
| 6 S | Versatile 6 - signal |
| 6 G | Ground               |
| 7 S | Versatile 7 - signal |
| 7 G | Ground               |
| 8 S | Versatile 8 - signal |
| 8 G | Ground               |

## Versatile Ports Usage

### Input modes

|                  |  |
|------------------|--|
| Digital input    | Adjustable threshold <ul style="list-style-type: none"> <li>• High sensitivity<br/>binary 0 &lt; 1.45 V, binary 1 &gt; 2.05 V</li> <li>• Low sensitivity<br/>binary 0 &lt; 5.8 V, binary 1 &gt; 8.2 V</li> </ul> Input impedance >100 kΩ<br>Adjustable digital filter  |
| Pulse counter    | Adjustable threshold as above<br>Input impedance as above<br>Pulse length min. 1 ms, max. frequency 500 Hz<br>Max. number of pulses 2 147 483 647 (Long)<br>Adjustable digital filter  |
| Voltage input    | Range 0 ÷ 2.5 VDC, 0 ÷ 10 VDC, auto<br>Input impedance >100 kΩ<br>Resolution 12-bit<br>Adjustable digital filter<br>Accuracy ±0.1 % of reading, ±0.1 % of range (0.1 ÷ 10 V, digital filter applied)   |
| Resistance input | Range 2 kΩ, 20 kΩ, 200 kΩ, auto<br>Resolution 12-bit<br>Adjustable digital filter<br>Accuracy (digital filter applied) <ul style="list-style-type: none"> <li>• 100 Ω ÷ 800 Ω<br/>±3 % of reading, ±0.1 % of range</li> <li>• 800 Ω ÷ 20 kΩ<br/>±0.3 % of reading, ±0.1 % of range</li> <li>• 20 kΩ ÷ 200 kΩ<br/>±1 % of reading, ±0.1 % of range</li> </ul> |

### Output modes

|                  |  |
|------------------|--|
| Digital output   | Max. sink current 200 mA / max. 30 VDC<br>Catch diodes for use with real load      |
| Current pullup   | Current-source pull-up 12 V / 10 mA  |
| Current pulldown | Current-source pull-down -12 V / 10 mA   |
| IR output        | Maximum IR carrier frequency 500 kHz<br>Up to 3 original IR Adapter /i in parallel |
| Serial output    | RS-232<br>Serial data baud rate 300 Bd ÷ 115 200 Bd (bps)                          |