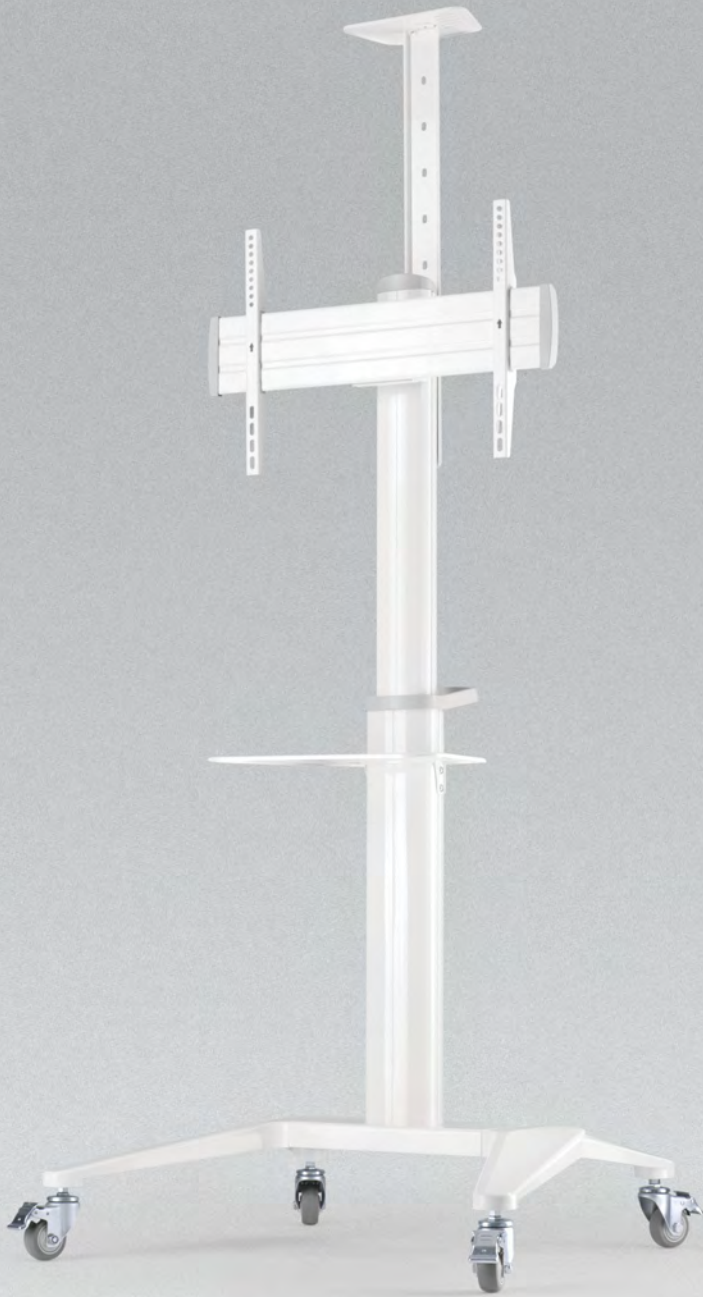


**dacomex**



**S70 / S120 Series**  
**ULTRA-MODERN**  
**ALUMINUM TV CARTS**



dacomex

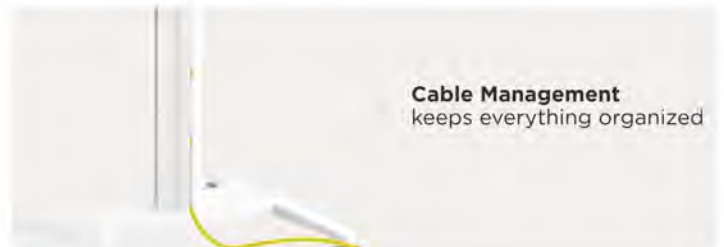
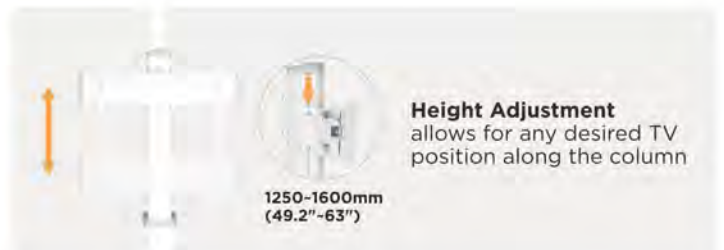
*Aesthetic / Stable / Versatile*



S70 / S120 Series

# Ultra-Modern Aluminum TV Carts

# dacomex

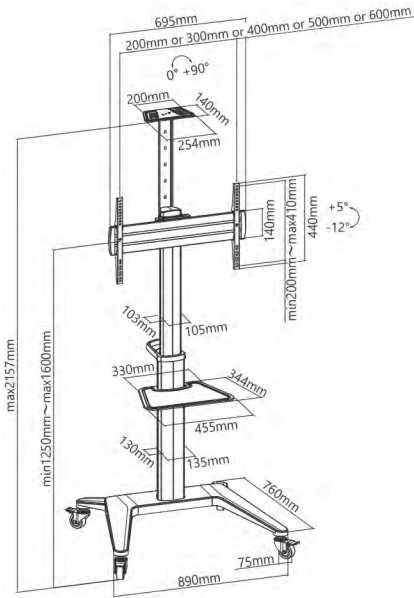


# S70 / S120 Series

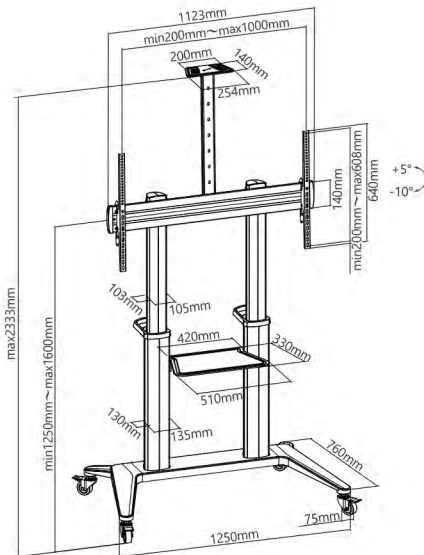
## Ultra-Modern Aluminum TV Carts

**dacomex**

### S70-600W-R Landscape/Portrait Orientation



### S120-1000W Landscape Orientation Only



Colors:

Item No.	S70-600W-LP	S120-1000W
Screen Size	37"-70"	70"-120"
Max. VESA	600x400	1000x600
TV Weight Capacity	70kg/154lbs	140kg/308lbs
Shelf Weight Capacity	5kg/11lbs	5kg/11lbs
Strength Tested	Four Times	Three Times
Tilt Range	+5°--12°	+5°--10°
Screen Rotation	0°--+90°	/