

MWM65B.20

Buspro Curtain Motor 220V AC/with adapter

buspro

Datasheet

Issued: Jun. 5, 2019

Edition: V1.0.2



Figure 1. Buspro Curtain Motor
(Left: 220V AC ver., Right: Adapter ver.)

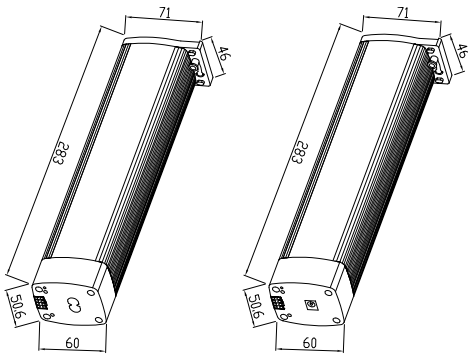


Figure 2. Dimensions (Left: 220V AC ver., Right: Adapter ver., Unit: mm)

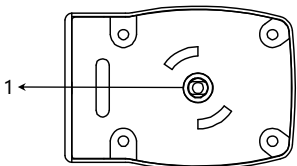


Figure 3. Bottom view (1)

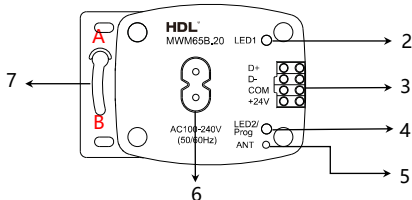


Figure 4. Bottom view (2) - 220V AC ver.

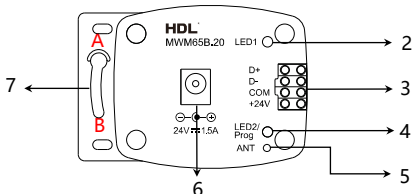


Figure 5. Bottom view (2) - Adapter ver.

Overview

Master Curtain Control Motor (Figure 1) receives HDL Buspro signal to control the curtains.

Its features include:

- Open (full or to certain extent), close or stop the curtain
- Supports pulling the curtain to start the motor
- Automatic ranging and switch limiting position configuration supported
- Maximum curtain extension range display
- Buspro power detection
- HDL Buspro communication
- Online update supported
- Power supply via DC motor
- Applicable for all kinds of medium-sized linear or arched curtain

Components and Operation

Dimensions - Figure 2 - 5

1. Motor shaft
2. LED Indicator 1/Code Learning Button (For detailed information about code learning, please refer to the user manual of the remote controller.)
3. Buspro interface
4. LED Indicator 2 / PROG Button (Programming Button)
5. Antenna (Reserved)
6. Power interface
7. Clipping lock

Status Description of LED indicator

Function	Status	LED status	Way to enter the status	Way to exit the status
Working property		LED Indicator 2 flashes once at the interval of 2s	/	/
Modify motor address		LED Indicator 2 keeps on in red	Press PROG Button for 3s	Press PROG Button for 3s / no operation for 9s

Note: The above operations are carried out in normal working mode.

Installation

As shown in Figure 4 and Figure 5,

1. Pull and turn the clipping lock (Mark 7 in Figure 4 and Figure 5) from A to B .
2. Put the motor shaft into the rail and turn the clipping lock from B to A to lock the motor.

Note(s)

- Buspro connection: Series connection (hand-in-hand recommended)
- Ensure correct connection to HDL Buspro terminal
- Ensure tight connection between the motor and the rail

Warning

- The installation and commissioning of the device must be carried out by HDL or the organization designated by HDL. For planning and construction of electric installations, the relevant guidelines, regulations and standards of the respective country are to be considered.
- HDL does not take responsibility for all the consequences caused by installation and wire connection that are not in accordance with this specification.
- Please do not privately disassemble the device or change components, otherwise it may cause mechanical failure, electric shock, fire or body injury.
- Please resort to our customer service department or designated agencies for maintenance service. The warranty is not applicable for the product fault caused by private disassembly.
- Do not put any additional weight on the rail, and do not climb the curtain.
- When you install the motor to the drive unit, please check and make sure that the latch is pushed into locked hole, otherwise the motor will fall down to cause product damage or personal injury.

Package Contents

220V AC ver.: MWM65B.20*1 / Power cable*1 / Datasheet*1

Adapter ver.: MWM65B.20*1 / Power cable and adapter*1 / Datasheet*1

Technical Data

Basic Parameters	
Working voltage	12-30V DC
Working current	7mA / 24V DC
Rated input voltage	220V AC ver.: AC 100-240V (50/60Hz) Adapter ver.: 24V DC
Rated input current	220V AC ver.: 0.4A Adapter ver.: 1.5A
Motor torque	1.2N.m
Motor rotate speed	95rpm
Terminal wire diameter	0.6-0.8mm
Communication	HDL Buspro

External Environment	
Working temperature	-5°C~45°C
Working relative humidity	≤90%
Storage temperature	-20°C~60°C
Storage relative humidity	≤93%

Specifications	
Dimensions	283×71×50.6 (mm)
Net weight	220V AC ver.: 996g Adapter ver.: 879g
Housing material	PC, aluminum
Installation	Wall hanging
Protection rating	IP41

Name and Content of Hazardous Substances in Products

Components	Hazardous substances					
	Lead (Pb)	Mercury (Hg)	Cadmium (Cd)	Chromium VI (Cr (VI))	Poly-brominated biphenyls (PBB)	Poly-brominated diphenyl ethers (PBDE)
Plastic	o	o	o	o	o	o
Hardware	o	o	o	o	-	-
Screw	o	o	o	x	-	-
Solder	x	o	o	o	-	-
PCB	x	o	o	o	o	o
IC	o	o	o	o	x	x

The symbol “-” indicates that the hazardous substance is not contained.

The symbol “o” indicates that the content of the hazardous substances in all the homogeneous materials of the component is below the limit requirement specified in the Standard IEC62321-2015.

The symbol “x” indicates that the content of the hazardous substance in at least one of the homogeneous materials of the part exceeds the limit requirement specified in the Standard IEC62321-2015.

HDL Buspro Cable

HDL Buspro	HDL Bus Wire
DATA+	Yellow
DATA-	White
COM	Black
24V DC	Red

Technical support

E-mail: support@hdlautomation.com
Website: <https://www.hdlautomation.com>

©Copyright by HDL Automation Co., Ltd. All rights reserved.
Specifications subject to change without notice.