



**Middle Atlantic Products**

EXCEPTIONAL SUPPORT & PROTECTION™

96-01105 / rev. 1b / 08-23-10

# UD Series Utility Drawers



EIA/TIA Compliant

UL LISTED

The UD Series rackmount utility drawers offer an economical storage solution for any enclosure

## Features

- Full extension ball bearing slides extend a full 14"
- Durable black powder coat finish
- Keylock and latch option for security, user-installed (2, 3 and 4 space drawers only)
- Cable entry point at the rear of the drawer allows for optimized cable management
- Four sizes available
- UL Listed in the US and Canada



UD1 shown as a writing surface



UD1



UD3

## Architects and Engineers' Specifications

EIA compliant 19" rackmount drawer shall be Middle Atlantic Products model # UD\_\_ (refer to chart). Drawer shall have useable width of \_\_", a useable surface of \_\_" and occupy \_\_ rackspace(s) (refer to chart). Drawer base shall be \_\_-gauge steel, top and sides shall be \_\_-gauge steel (refer to chart). Drawer faceplate shall be \_\_-gauge steel with a black powder coat finish (refer to chart). Drawer shall extend \_\_" (refer to chart). Drawer shall use full extension, ball bearing slides. UD\_\_ shall have cable entry point at the rear of the drawer. UD\_\_ shall have a knockout on the face of the drawer to accommodate optional user-installed latch and keylock (refer to chart). Drawer shall have mounting hole spacing of \_\_" (refer to chart). Drawer shall have a 50 lb. weight capacity. Drawer shall be UL Listed in the US and Canada. Drawer shall be GREENGUARD Indoor Air Quality Certified for Children and Schools. Drawer shall be RoHS EU Directive 2002/95/EC compliant. Drawer shall be manufactured by an ISO 9001 and ISO 14001 registered company. Drawer shall be warranted to be free from defects in materials or workmanship under normal use and conditions for a period of three years.

### OPTIONS

- User installed latch for UD Series drawers shall be Middle Atlantic Products model # LATCH. LATCH shall fit 2, 3 and 4 space drawers.
- User installed keylock for UD Series drawers shall be Middle Atlantic Products model # KYLK. KYLK shall fit 2, 3 and 4 space drawers.
- Additional set of keys for KYLK shall be Middle Atlantic Products model # ACC-KEY.
- No-slip drawer mat for UD Series drawers shall be Middle Atlantic Products model #DM.

**CUSTOMIZABLE SPECIFICATION CLIPS AVAILABLE AT MIDDLEATLANTIC.COM**

US: New Jersey • California • Illinois • Voice: 973-839-1011 Fax: 973-839-1976 • middleatlantic.com  
Canada: Ontario • British Columbia • Voice: 613-836-2501 Fax: 613-836-2690 • middleatlantic.ca

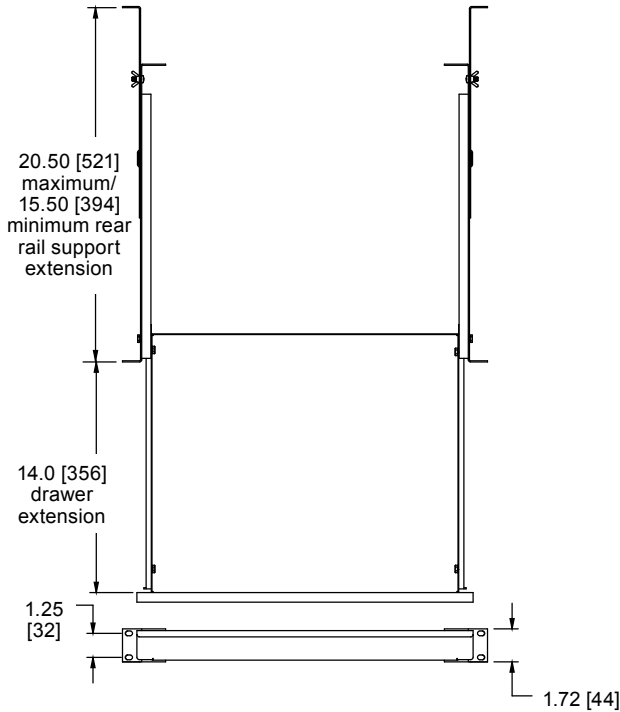
96-01105 / rev. 1b / 08-23-10 / UD Series Utility Drawers

# UD basic dimensions

All dimensions in inches unless otherwise noted [All dimensions in brackets are in millimeters]

## UD1

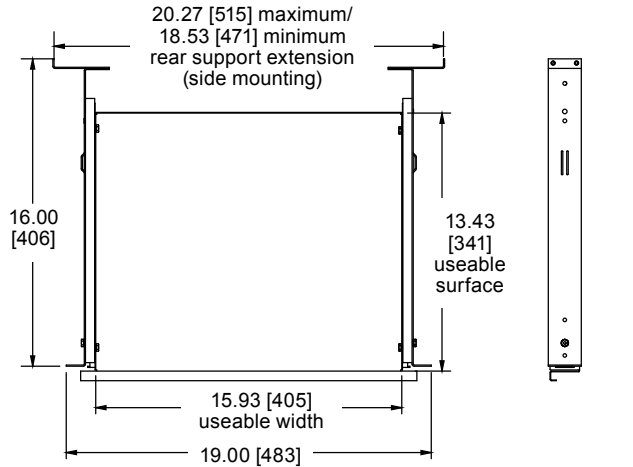
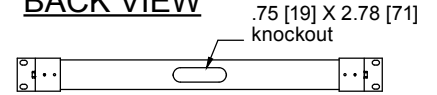
**TOP VIEW**



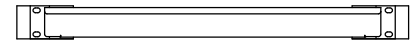
**SIDE VIEW**



**BACK VIEW**

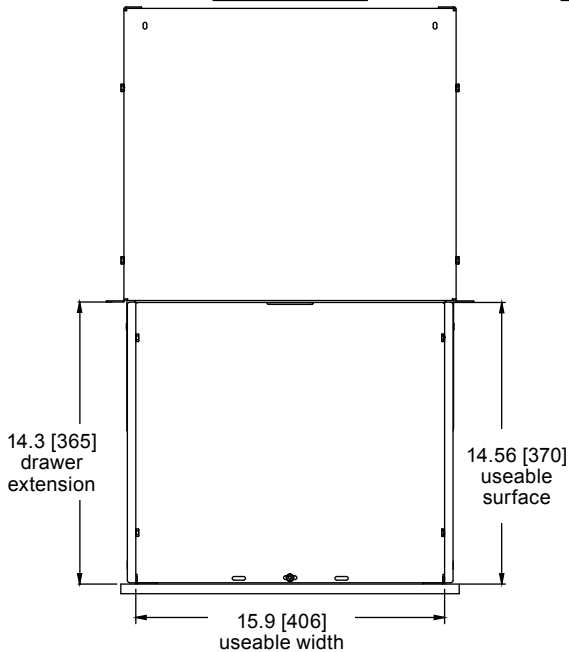


**FRONT VIEW**

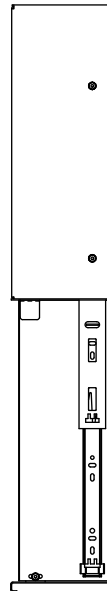


## UD2, UD3, UD4

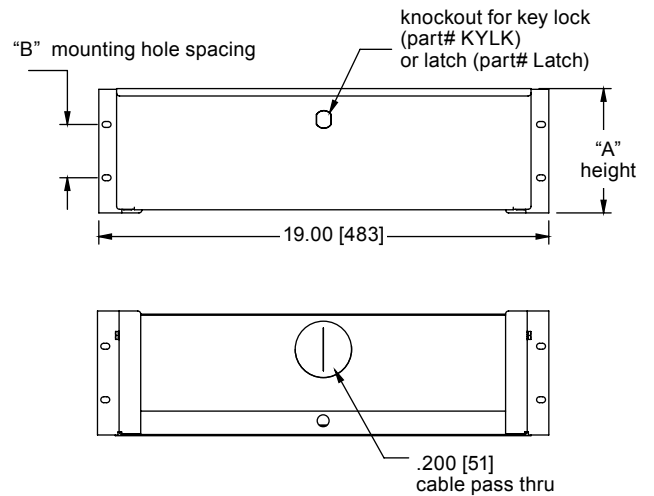
**TOP VIEW**



**SIDE VIEW**



**FRONT VIEW**



Part #	"A" Racking Height	"B" Mounting Hole Spacing	"C" Useable Width	"D" Usable Surface	"E" Drawer Extension	Optional Latch/Keylock	Steel Gauge Top & Sides	Steel Gauge Bottom	Steel Gauge Front
UD1	1.75" (44) 1 space	1.25 (32)	15.93 (405)	13.43 (341)	14.00 (356)	No	20-gauge	20-gauge	20-gauge
UD2	3.50" (89) 2 space	3.00 (76)	15.97 (406)	14.56 (370)	14.56 (370)	Yes	16-gauge	20-gauge	18-gauge
UD3	5.25" (133) 3 space	2.25 (57)	15.97 (406)	14.56 (370)	14.56 (370)	Yes	16-gauge	20-gauge	18-gauge
UD4	7.00" (178) 4 space	4.00 (102)	15.97 (406)	14.56 (370)	14.56 (370)	Yes	16-gauge	20-gauge	18-gauge

