



BGR-SA Series Enclosure

SEISMIC CERTIFIED



EIA/TIA Compliant

C(UL)US LISTED

The BGR-SA Series 19" stand-alone enclosures
Next generation rack, designed with significant installation and performance benefits

Features

- Provides more rackspace in a smaller overall height than similar racks
- Accepts patent-pending LeverLock™ tool free and hardware free internal device and cable management system accessories
- Fully welded construction provides the following weight capacities:
UL Listed load capacity: 3,000 lbs., Static load capacity: 12,000 lbs.,
Seismic certified capacity: 1,175 lbs.
- Pre-threaded ganging holes allow for rack joining after loading
- Rackrail depth indicators
- 1/2", 3/4", 1" & 1-1/2" electrical knockouts and 5/8" and 1/2" D UHF/VHF antennae knockouts on rear top & bottom, easily removable for cable pass-through. Top cable management plate (38 space and up) includes 1/2", 3/4", 1" 1-1/2" & 3" electrical knockouts and 5/8" and 1/2" D UHF/VHF antennae knockouts
- 23" OD width, multiple depths
- Two pairs of 11-gauge, 10-32 threaded rackrail with numbered rackspace increments
- Optional stackable 3" extender bay available for front and rear
- Optional curved and beveled front doors in solid, vented and plexiglass styles
- Attractive interior bevels
- Configurable open top with vertical cable management entry points
- Durable black textured powder coat finish
- Seismic certified (when used with BGR-Z4 or BGR-ISO-Z4 option) with an Ip value of 1.5
- UL Listed in the US and Canada



BGR shown
with curved door



BGR shown
with beveled door

96-01153 / rev 1c / 1-6-12 / BGR-SA Series Enclosure

CUSTOMIZABLE SPECIFICATION CLIPS AVAILABLE AT MIDDLEATLANTIC.COM

Architects and Engineers' Specifications

EIA compliant 19" stand-alone equipment rack shall be Middle Atlantic Products model #BGR-__SA-__ (see chart for available models). Overall dimensions of BGR shall be __"H x 23"W x __"D (refer to chart). Useable height of BGR shall be __ rackspaces, useable depth shall be __" (refer to chart). BGR shall come equipped with two pairs of fully adjustable steel rackrail with tapped 10-32 mounting holes in universal EIA spacing, black e-coat finish and numbered rackspaces. BGR shall have .100" thick steel along rackrail brackets, .310" thick steel at corners. BGR shall include vented locking and latching rear door, which shall be capable of accepting up to six 4-1/2" fans. Top and bottom of BGR shall feature vertical slotted vent pattern for ventilation. BGR shall have two 1" x 7" rear obround knockouts with 1/2", 1", 1-1/4" and 1-1/2" electrical knockouts and 5/8" and 1/2" D UHF/VHF antennae knockouts in base and top. BGR shall have a configurable open top with vertical cable management entry points. BGR shall accept patent-pending LeverLock™ tool free and hardware free internal cable and device management system accessories. BGR shall have pre-threaded 5/16"-18 ganging holes. BGR shall be capable of ganging while fully loaded, using bolts only. BGR shall have marked rackrail depth indicators. BGR shall be of fully welded construction. BGR shall be finished in an environmentally friendly, durable black powdercoat. Grounding and bonding studs shall be 1/4-20 threaded, installed in top and base of enclosure (19 and 25 space have stud in bottom only). Fully welded construction shall provide a static capacity of 12,000 lbs. and a UL Listed load capacity of 3,000 lbs. BGR Series enclosures shall satisfy the 1997 UBC; 2001, 2007 & 2010 CBC; 2000, 2003, 2006 & 2009 IBC; ASCE 7-02, ASCE 7-05, ASCE 7-10 and the 2003, 2006 & 2009 editions of NFPA 5000 for use in areas of high seismicity, Seismic Use Group III, Zone 4 or Seismic Design Category (SDC) "D" with lateral force requirements for protecting 1,175 lbs. of essential equipment in locations with the highest level of seismicity and top floor or rooftop installations with an Importance factor (Ip) of 1.5 when used with BGR-Z4 or BGR-ISO-Z4 (isolated) seismic floor anchor bracket. BGR shall be UL Listed in the US and Canada. BGR shall be GREENGUARD Indoor Air Quality Certified for Children and Schools. BGR enclosure shall be RoHS EU Directive 2002 / 95 / EC compliant. BGR shall be manufactured by an ISO 9001 and ISO 14001 registered company. BGR enclosure shall be warrantied to be free from defects in material or workmanship under normal use and conditions for the lifetime of the rack.

FEATURED OPTIONS

- LeverLock™ tool free and hardware free internal device and cable management system accessories shall be model # LL-XXYY (XX = type, YY = size, refer to middleatlantic.com for additional details)
- Curved front doors shall be model # VFD-XXA (vented, 64% open area), PFD-XXA (plexi), (XX= # of rackspaces)
- Beveled front doors shall be model # BFD-XX (solid), BVFD-XX (vented, 64% open area), BPDF-XX (plexi), (XX= # of rackspaces)
- Front or Rear Extender, adds 3" of usable depth, model # BGR-__EXT3 (41,45)
- Cable entry rear door, shall be model # BGR-RDC__ (19, 25, 38, 41, 45)
- Inner platform base shall be BS-BGR
- Caster kit shall add 1" to overall height, include four casters with a 1,100 lb. weight capacity, and shall be model # CBS-BGR
- Rear rail kit shall be model # BGR-RRXX (XX=# of rackspaces)
- Seismic Zone 4, Seismic Use Group III and Seismic Design Category "D" compliance kit shall be model # BGR-Z4
- Seismic Zone 4, Seismic Use Group III and Seismic Design Category "D" compliance and isolation kit shall be model # BGR-ISO-Z4
- Seismic Zone 4, Seismic Use Group III and Seismic Design Category "D" riser bases shall be SRB-(1,2,3)-BGR-(32, 38)Z4
- Isolation kit shall be model # BGR-ISO
- Front decorative trim shall be BGR-TRIM__(45,41,38, 25, 19) and shall include the following colors: Green (pre-installed), Red, Black, Blue & White

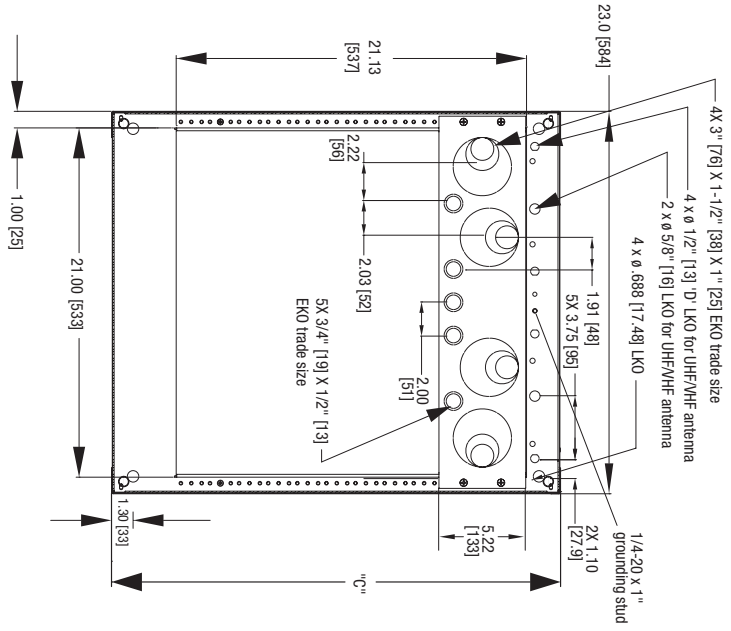
PART #	RACKSPACES	"A" OVERALL HEIGHT	"B" RACKING HEIGHT	"C" DEPTH	"D" USEABLE DEPTH
BGR-19SA-27	19	37.375 [949]	33.375 [848]	27 [686]	24.4 [620]
BGR-25SA-27	25	47.875 [1216]	43.875 [1114]	27 [686]	24.4 [620]
BGR-38SA-27	38	70.625 [1794]	66.625 [1692]	27 [686]	24.4 [620]
BGR-41SA-27	41	75.875 [1927]	71.875 [1826]	27 [686]	24.4 [620]
BGR-45SA-27	45	82.875 [2105]	78.875 [2003]	27 [686]	24.4 [620]
BGR-25SA-32	25	47.875 [1216]	43.875 [1114]	32 [812]	29.4 [747]
BGR-38SA-32	38	70.625 [1794]	66.625 [1692]	32 [812]	29.4 [747]
BGR-41SA-32	41	75.875 [1927]	71.875 [1826]	32 [812]	29.4 [747]
BGR-45SA-32	45	82.875 [2105]	78.875 [2003]	32 [812]	29.4 [747]



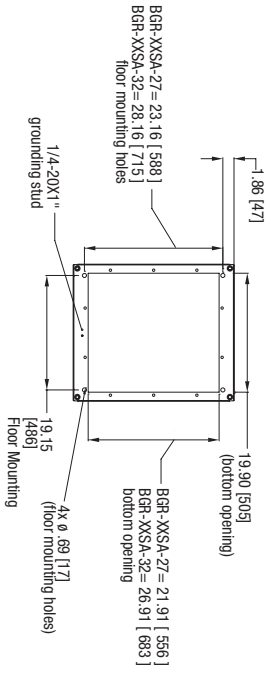
BGR-SA basic dimensions

All dimensions in inches unless otherwise noted [All dimensions in brackets are in millimeters]

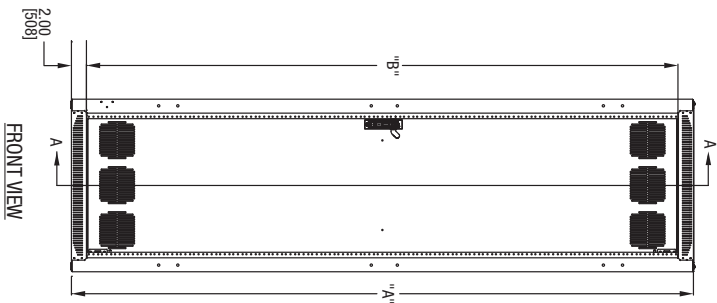
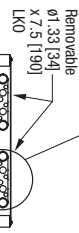
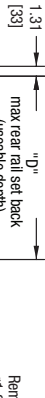
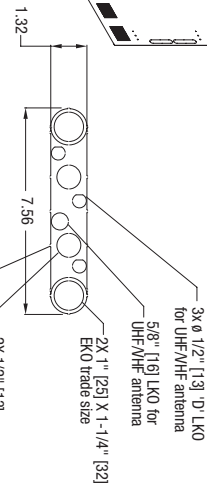
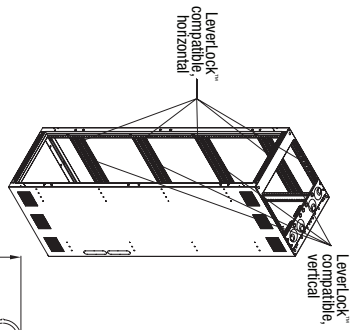
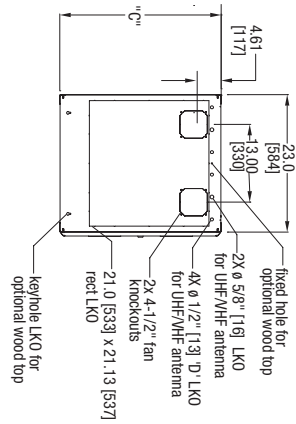
TOP VIEW
38SP & OVER



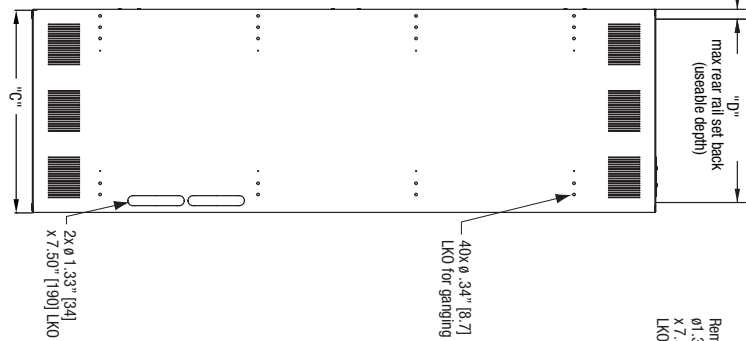
BOTTOM VIEW



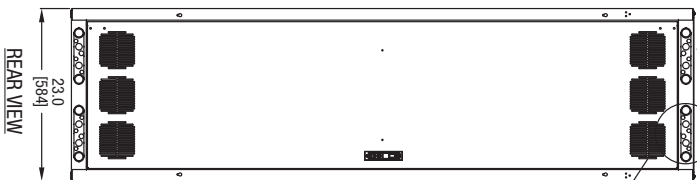
TOP VIEW
25SP & UNDER



FRONT VIEW



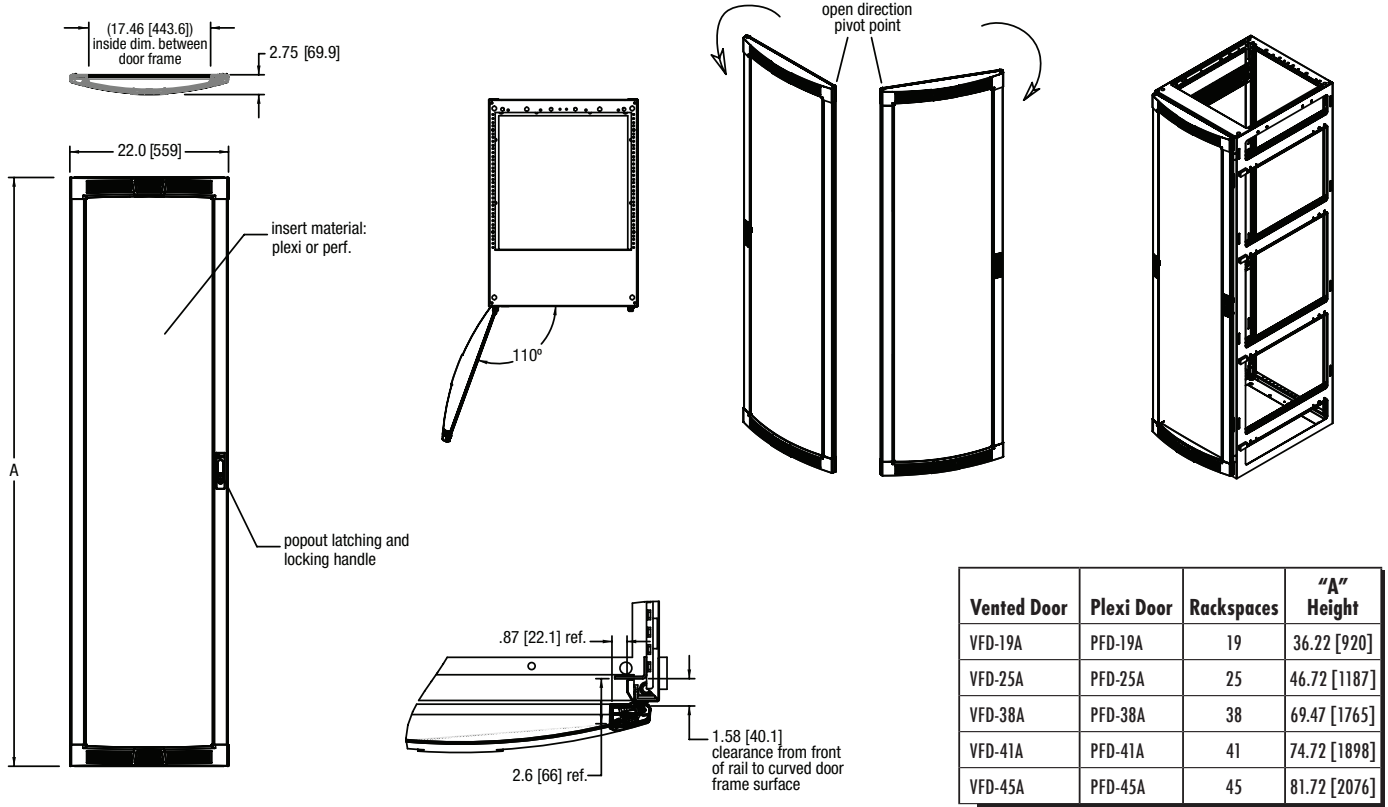
SIDE VIEW SECTION A



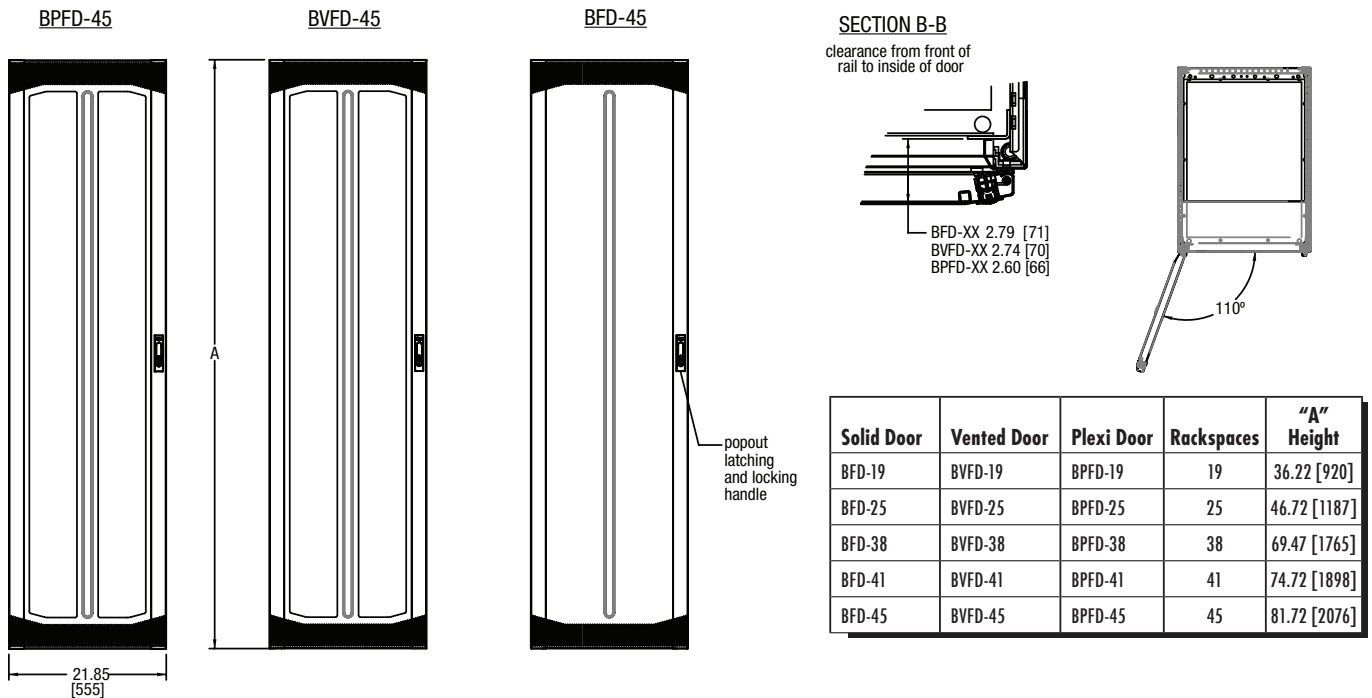
REAR VIEW



BGR Curved Doors basic dimensions

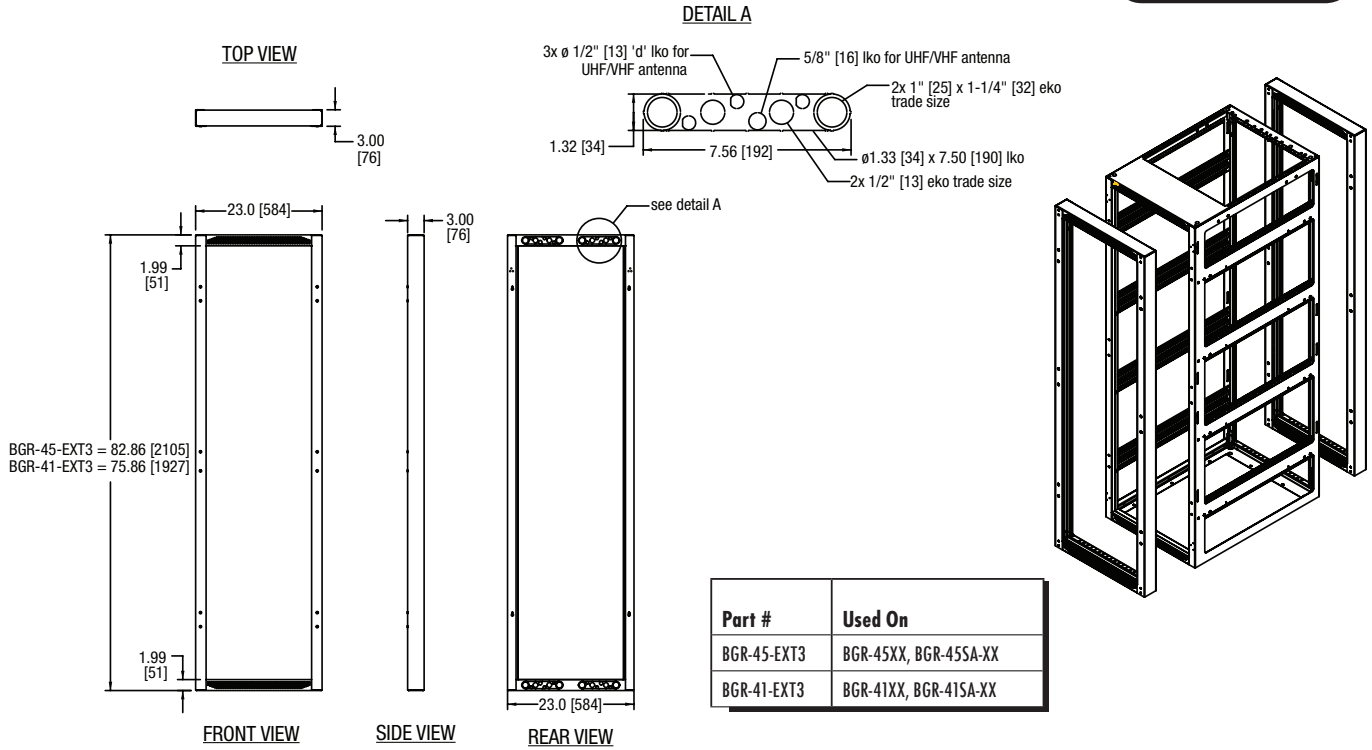


BGR Beveled Doors basic dimensions

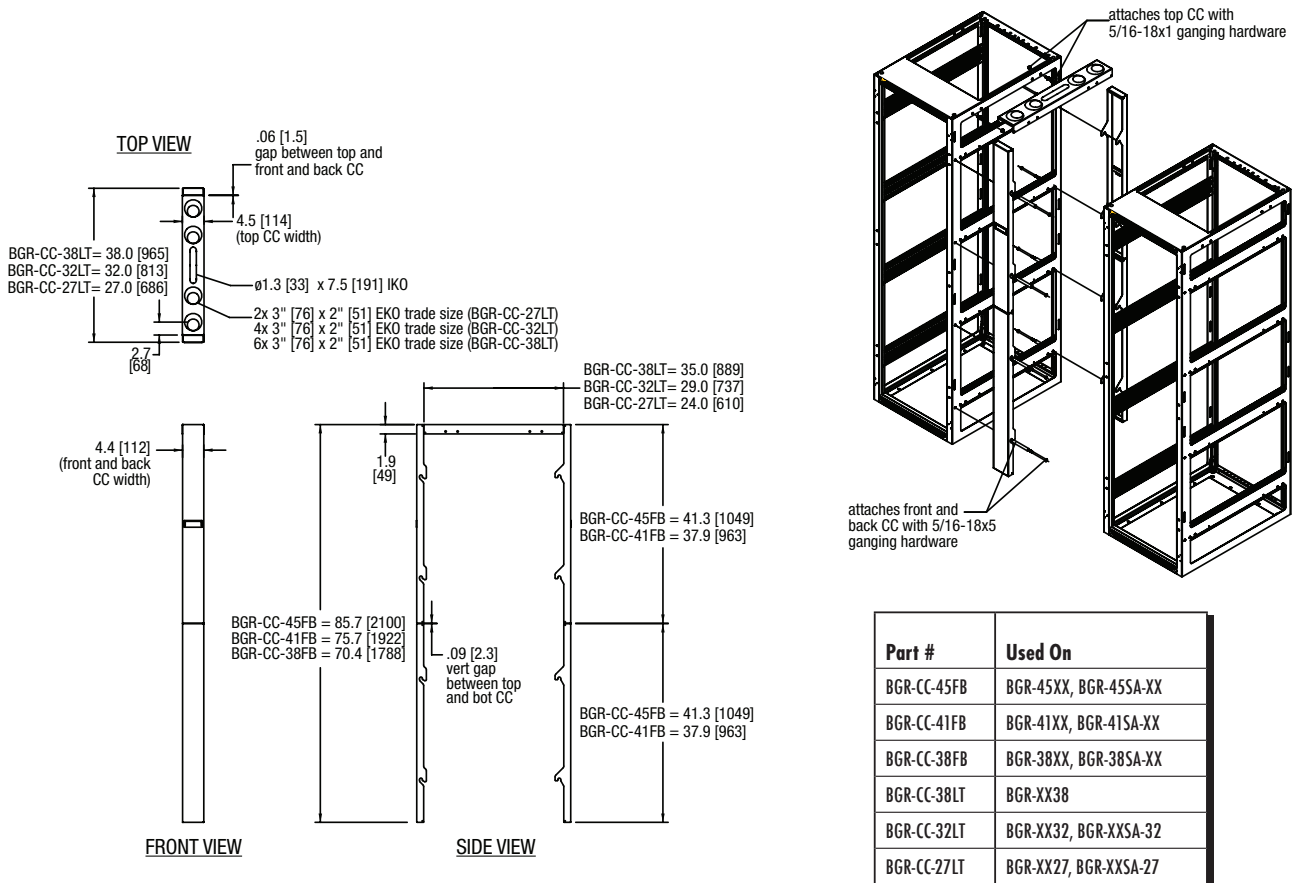


All dimensions in inches unless otherwise noted [All dimensions in brackets are in millimeters]

BGR Front/Rear Extender basic dimensions



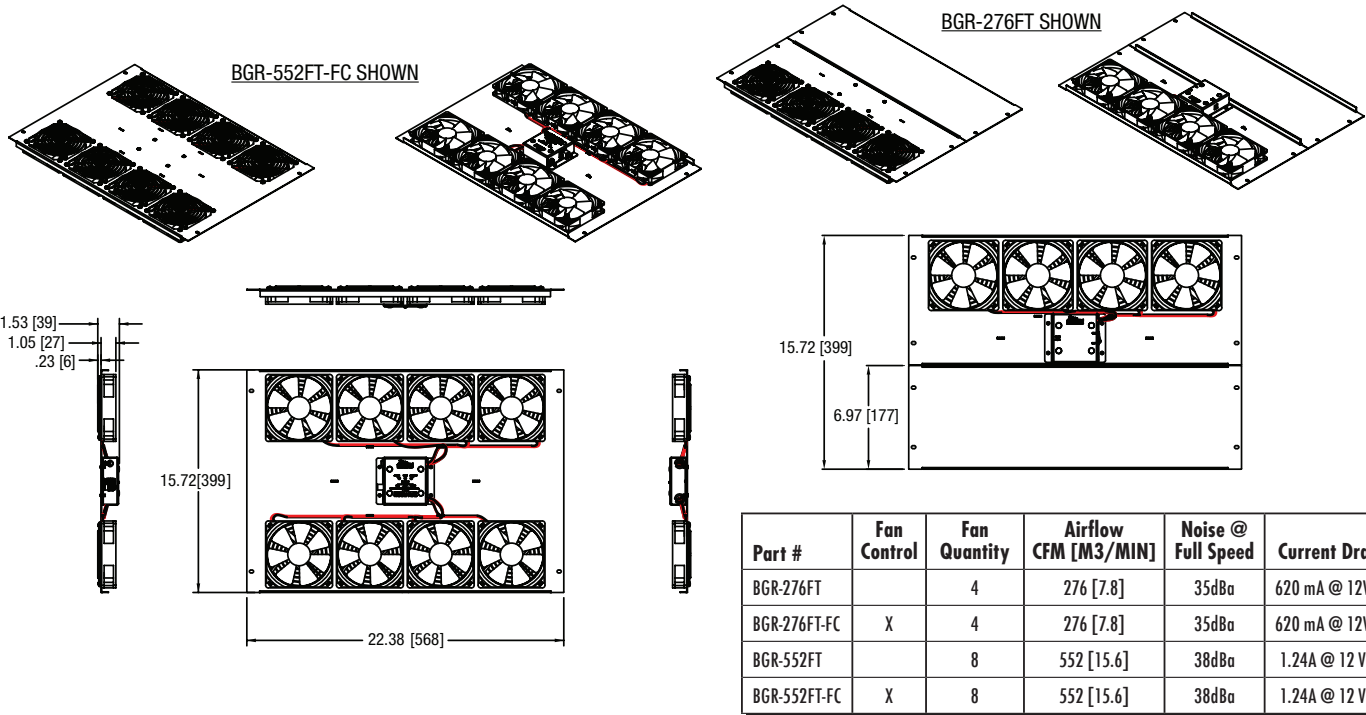
BGR Cable Chase basic dimensions



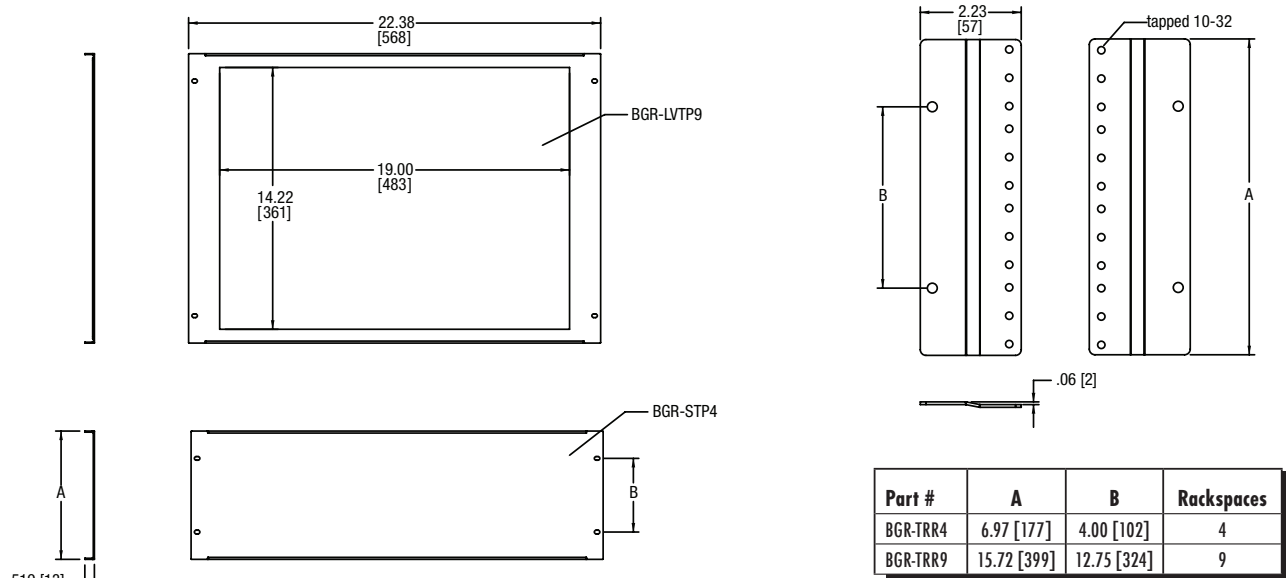
All dimensions in inches unless otherwise noted [All dimensions in brackets are in millimeters]

BGR Fan Top basic dimensions

All dimensions in inches unless otherwise noted [All dimensions in brackets are in millimeters]



BGR Top Panel/Rail basic dimensions

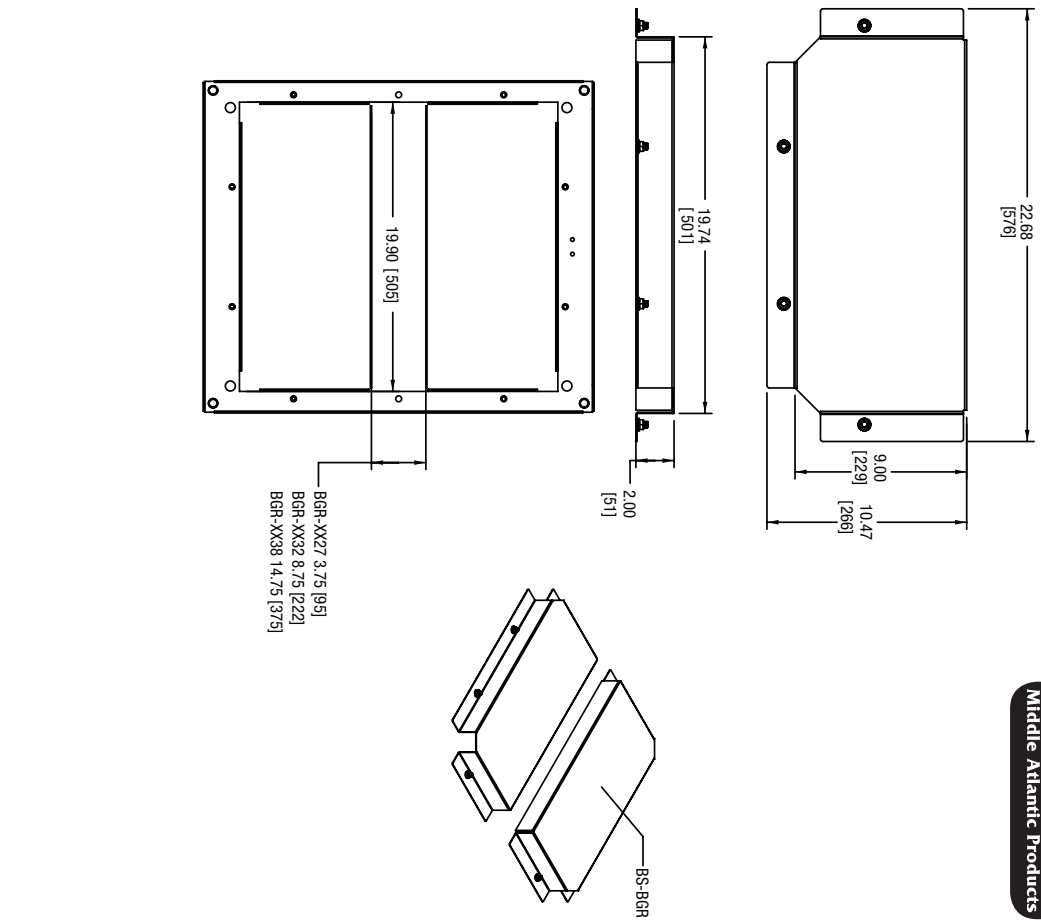
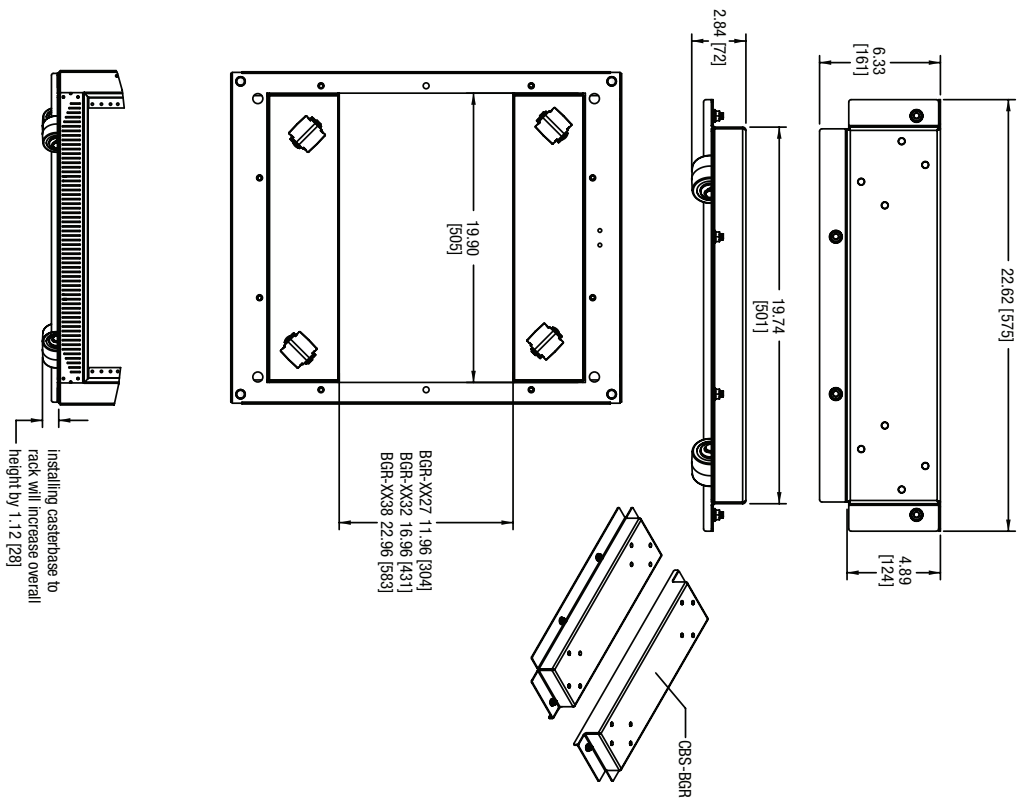


Part #	A	B	Type	Material	Open Area
BGR-STP3	5.22 [133]	2.25 [57]	solid	aluminum	-
BGR-STP4	6.97 [177]	4.00 [102]	solid	aluminum	-
BGR-STP9	15.72 [399]	12.75 [324]	solid	steel	-
BGR-LVT9	15.72 [399]	12.75 [324]	vented	steel	64%



BGR Caster Base / Inner Platform Base basic dimensions

All dimensions in inches unless otherwise noted [All dimensions in brackets are in millimeters]



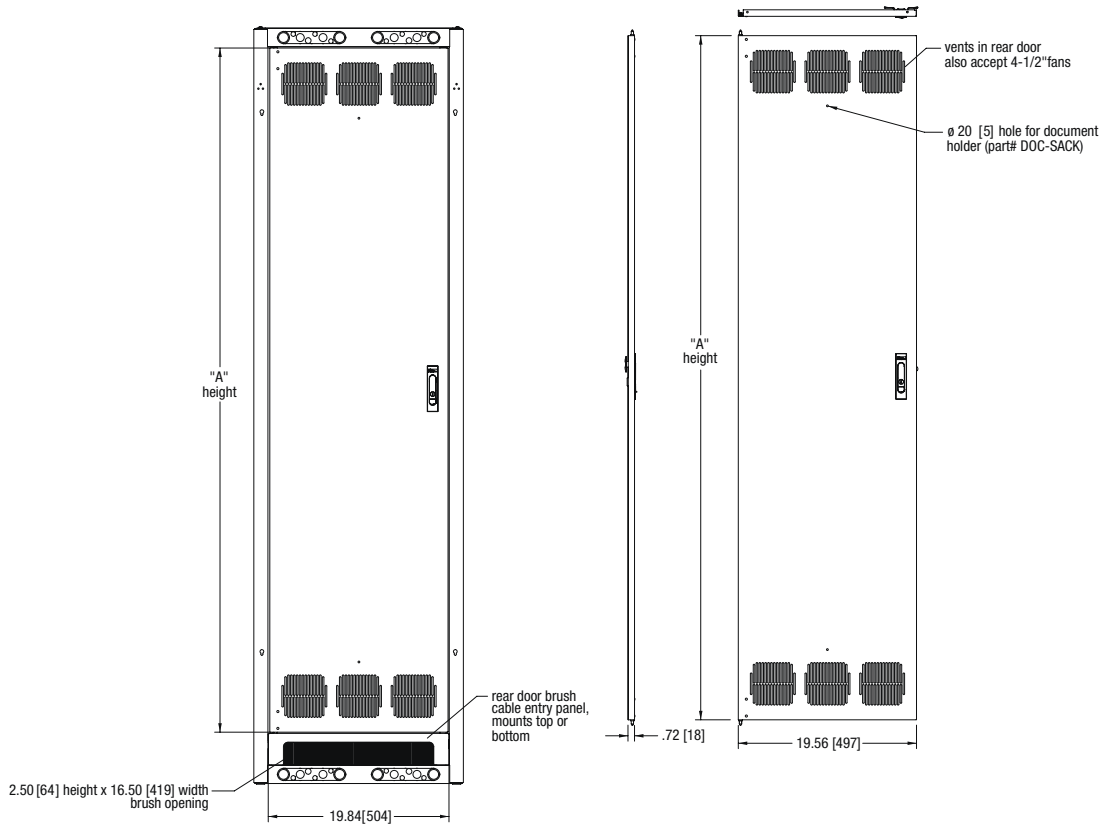
Installing casters to rack will increase overall height by 1.12 [29]



Cable Entry Rear Door basic dimensions

All dimensions in inches unless otherwise noted [All dimensions in brackets are in millimeters]

BGR REAR VIEW



Part #	Used On	"A" Height
BGR-RDC19	BGR-19XX, BGR-19SA-XX	29.59 [752]
BGR-RDC25	BGR-25XX, BGR-25SA-XX	40.09 [1018]
BGR-RDC38	BGR-38XX, BGR-38SA-XX	62.84 [1596]
BGR-RDC41	BGR-41XX, BGR-41SA-XX	68.09 [1730]
BGR-RDC45	BGR-45XX, BGR-45SA-XX	75.09 [1907]

