

## XD-C5 X-DOT COLOR

### XD range

The nexmosphere X-Dot range offers a variety of functions in a ultra small form factor. It's unique cable design offers the flexibility of both bottom and side feed, to use the elements directly on a surface or to hide the cable under the X-Dot. It is simple to install, use and maintain due to the high quality finishing and non-marking double sided tape.

The X-Dot Color is the ideal element to give visual guidance on display. Preselect a color with the nexmosphere Xperience controller matching exactly your presentations color scheme. From smooth glow to a high attention flashlight, X-Dot Color covers it all.



### Features

- Ultra small form factor
- High brightness LED as visual indicator
- Wide angle optic
- Multi-color LED (fade from color to color)

### Benefits

- Unique cable connection (bottom feed or side feed) enables invisible cable installation
- Securely mounts on any flat surface, horizontal, vertical or angled
- Easy removable non-marking double sided tape

### X-talk

The X-Dot can be easily connected to any of the Nexmosphere Xperience controllers using the X-talk interface. All settings of the X-dot are programmable on the Xperience controller side, enabling a seamless integration in your application.

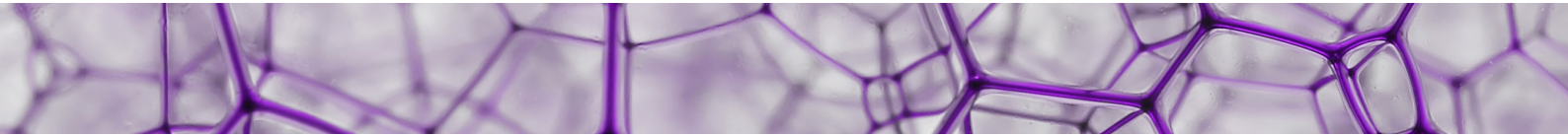
- Plug and smile interface
- Compatible with any nexmosphere Xperience controller
- Powered and programmable by nexmosphere Xperience controller for ease of use

### LED light

The high brightness LED offers a great visual guidance on the shelf space. The LED can be controlled by using the Xperience controller fading from any color to any color. The onboard LED drivers enable a smooth dimming from 100-0%. Choose from a wide palette of different pulsing/glowing patterns to draw the attention to the right spot.

- Smooth flicker free 12 bit dimming control
- Fades from one color to another
- Selectable glowing/pulsing patterns at variable speed





## XD-C5 X-DOT COLOR

### Thermal specifications

Operating temperature: +10°C...+40°C/ +50°F ... +104°F  
Storage temperature: -20°C...+50°C/ -4°F ... +122°F

### Electrical specifications

Operating voltage: 5VDC (via X-talk interface)  
Power consumption: 70mA

### Standards and Certifications

Compliant with IEC 60950-1(ed.2);am1;am2  
CE certificate  
US/CAN certification in progress  
RoHS compliant

### Miscellaneous

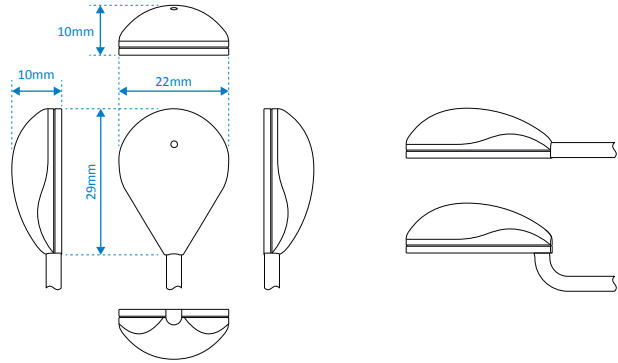
- Three cable lengths available (60/120/180cm)
- Custom colors and cable length available on request
- 1 year warranty (optional 3 year extended warranty available)

### Packaging

Items per carton 1, 10 or 50 pcs

### Mechanical dimensions

LxWxH: 29 x 22 x 10 mm  
Fixation: Double sides adhesive tape



### Ordering information

Product ID	Description	Netto weight	Quantity
XDW-C54	X-Dot Color LED (RGB full color), 60cm	12g	1 pc
XDW-C55	X-Dot Color LED (RGB full color), 120cm	18g	1 pc
XDW-C56	X-Dot Color LED (RGB full color), 180cm	24g	1 pc

### Nexmosphere

High Tech Campus 10 (Mμ building)  
5656 AE Eindhoven • The Netherlands

T +31 40 240 7070  
E sales@nexmosphere.com

© 2017 Nexmosphere. All rights reserved. v1.0 / 02-17  
All content contained herein is subject to change without prior notice.