

## XN-180 XPERIENCE CONTROLLER

### XN range

The Nexmosphere nano range is the smallest encased controller of its kind. It's ultra-small form factor and smart design, make it an ideal product to use in virtually any application where space is a limiting factor and where integration with other systems is achieved. Connect your Nexmosphere Elements of choice, such as presence sensors, pick-up detectors, touch buttons or LEDs, and build your own unique shopper journey; LED lighting that starts glowing when a shopper approaches, product info showed if a product is placed on an "info platform". Whichever interactivity suits your brand's story, create a lasting impression using the XN Xperience controller.



### Features

- 8x X-talk interface for easy sensor connection
- RS232 interface enabling 3rd party product integration

### X-talk interface

Connect a wide range of sensors, buttons, LEDs, or any other of the Nexmosphere Elements to create your own unique shopper experience. Due to auto-configuration, no additional setup is required for seamless operation. The X-talk interface also supports industry standard I/O devices, such as push buttons.

- Plug and smile interface
- Compatible with any of the Nexmosphere Elements
- Providing power to the connected Elements for easy system wiring

### RS232 interface

The industry standard RS232 interface allows 3rd party product interfacing and can be controlled with X-script commands by any media player or content management system.

- Reliable high-speed RS232 communication
- Easy interfacing with 3rd party products
- No special drivers needed

### X-Script API

The X-Script API runs on the controller by default. All connected Elements and system behavior can be controlled with our standardized API commands.

### Benefits

- Auto start-up and configuration for highly reliable standalone applications (24/7 operability)
- Ultra-small form factor for easy installation in or behind displays
- Cost-efficient controller for small applications
- Compatible with all Nexmosphere Elements
- USB powered: single cable connection

# XN-180 XPERIENCE CONTROLLER

## Thermal specifications

Operating temperature: +10°C...+40°C/ +50°F ... +104°F  
 Storage temperature: -20°C...+50°C/ -4°F ... +122°F  
 Cooling: Passive cooling (no moving parts)

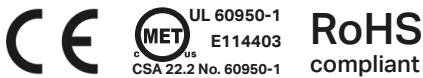
## Electrical specifications

Operating voltage: 5VDC  
 Power consumption: 150mA  
 Max. system current: 2.0A  
 Passive cooling (no moving parts)

## RS232 Serial communication specifications

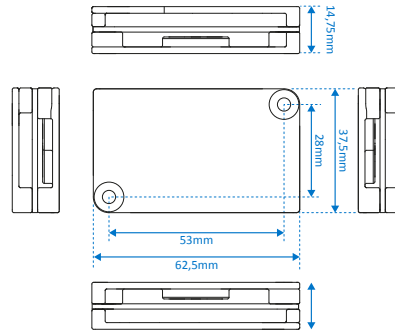
Baudrate: 115200  
 Data bits: 8  
 Parity: None  
 Stop bits: 1  
 Flow control: None  
 Protocol: ASCII  
 EOL: CR+LF

## Standards and Certifications



## Mechanical dimensions

LxWxH: 62,5 x 37,5 x 14,8 mm  
 Screw fixation: 53 x 28 mm



## Hardware interfaces

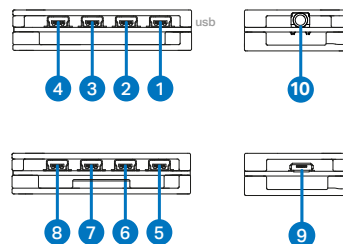
1. X-talk+ interface 1
2. X-talk+ interface 2
3. X-talk+ interface 3
4. X-talk+ interface 4
5. X-talk+ interface 5
6. X-talk+ interface 6
7. X-talk+ interface 7
8. X-talk+ interface 8
9. 5V Power input Micro USB
10. RS232 3.5 mm jack socket

## Miscellaneous

- Miniature housing with two mounting holes for secure screw fixing
- Build-in magnet for easy mounting on metal surfaces
- Horizontal and vertical mounting allowed
- Diagnostic LED indicating potential issues
- Status LED indicating power and input/output operations
- 1-year warranty (optional 3-year extended warranty available)

## Packaging

Netto weight: 100g  
 Items per carton: 1 or 10 pcs



## Ordering information

Product ID	Description	Quantity
XN-180	Xperience controller, 8x X-talk, RS232 (API)	1 pc

## Nexmosphere

High Tech Campus 10 (Mμ building)  
 5656 AE Eindhoven • The Netherlands  
 T +31 40 240 7070  
 E sales@nexmosphere.com

© 2017 Nexmosphere. All rights reserved. v1.0 / 02-17  
 All content contained herein is subject to change without prior notice.