

XR-DR1 ANTENNA DRIVER

XR range

The Nexmosphere XR range offers the products needed to build wireless pick-up sensors and NFC applications using RFID technology. The antenna driver detects a tag when it gets close to the antenna and sends trigger messages and tag information to the Xperience controller. Adhere the tags under the merchandise and trigger the video content on screen when products get picked-up, or -placed down. The drivers are compatible with any Nexmosphere antenna, and -controller model.



XR-DR1 Antenna driver

The XR-DR1 antenna driver detects and processes “tag pick-ups” and “tag placement” coming from the connected antenna and tag. It is the ideal solution for easy-to-implement Lift & Learn or Place & Learn applications, containing up to 250 products.

Features

- RFID pick-up and place-down detection
- Reads and communicates Tag number between 1-250
- Multi-tag detection

X-talk

The XR-DR1 antenna driver connects to any of the Nexmosphere Xperience controllers using an X-talk cable. Settings of the XR antenna driver are programmable on the controller, enabling seamless integration in your application.

- Plug and smile interface
- Compatible with any Nexmosphere Xperience controller
- Powered by and configurable with Nexmosphere Xperience controller

Wireless pickup detection

The XR antenna connects to the XR antenna driver. Together they register the pick-ups, as well as the place-downs of RFID tagged merchandise when the product is either lifted from, or -placed back on an antenna. During both events, a trigger with the Tag number is sent from the Xperience controller to the connected digital signage player that can be used to, for example, start a video or illuminate a strip of LEDs.

- Pick-up and place-down registration
- Highly responsive
- Compatible with XNR Nexmosphere RFID tags
- Multi-tag detection (up to 4 RFID tags simultaneously)

RFID tags

The standard tags for use with this product, are industry standard MiFare 1K tags that can be ordered already programmed with their respective numbers (1-250), or as empty tags that still require programming and labeling.

- 26mm diameter
- 13.56 Mhz
- Mifare Classic 1K
- IC: S50

Benefits

- Compatible with all different sizes XR-antennas
- Auto-calibration and auto-start for highly reliable applications (24/7)
- Status LED indicating tag detection

XR ANTENNA DRIVER

Mounting specifications

Install the antenna driver outside the antenna field of the connected XR antenna.

Thermal specifications

Operating temperature: +10°C...+40°C/ +50°F ... +104°F
Storage temperature: -20°C...+50°C/ -4°F ... +122°F

Electrical specifications

- Operating voltage: 5V DC (via X-talk interface)
- Power consumption: 100mA
- RFID frequency: 13.56Mhz

Miscellaneous

- Mounting holes for easy fixation
- 1-year warranty (optional 3-year extended warranty available)

Packaging

Netto Weight: 25g
Items per carton 1, 10 or 50 pcs

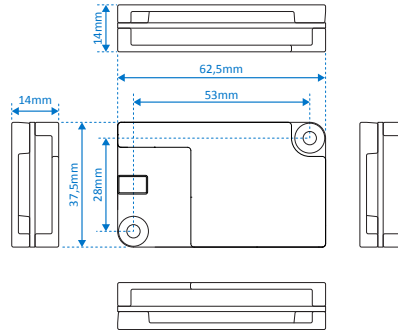
Standards and Certifications



RoHS
compliant

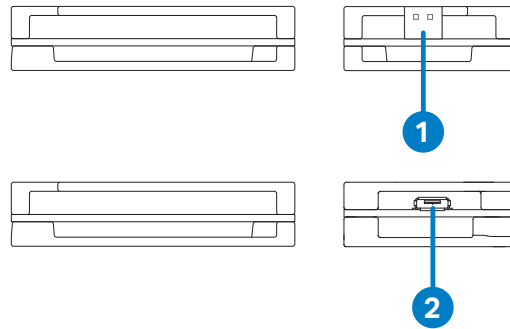
Mechanical dimensions

LxWxH: 62,5 x 37,5 x 14 mm
Screw fixation: 53 x 28 mm



Hardware interfaces

1. XR-antenna connector
2. X-talk connector (compatible with CAX-M cables)



Ordering information

Product ID **Description**

XR-DR1 XR antenna driver

Quantity

1 pc