

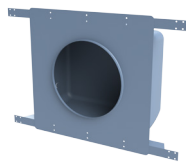


ORIGIN
ACOUSTICS®

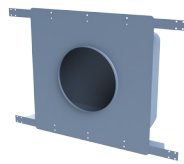


FBD Sound Enclosures Director Collection

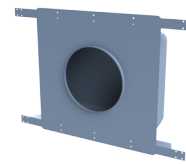
Origin Acoustics is the team that introduced the first UL Fire-Rated enclosure for commercial installations back in 1995. Carefully designed with proper airspace for the powerful bass response in the Director Collection speakers, our metal sound enclosures reduce room transfer by more than 90% while maintaining sufficient bass output. Each enclosure is built to exceed the one hour test in conjunction with the applicable requirements of ASTM E119, Standard Test Methods for Fire Tests of Building Construction and Materials, 2015--Making it perfect for use in both home and commercial installations.



FB10



FBD82X8



FBD82X6

Exceeds 1-Hour Fire Rating

Origin Acoustics metal sound enclosures have been tested to withstand the one-hour fire test per ASTM E119, making them perfect for use in commercial and MDU settings with Director Collection speakers.

Modular Expansion Wings

The enclosures can be expanded to fit standard drop-ceilings and standard 2x8 construction. The box construction allows for it to be installed in between ceiling joists ranging from 16" to 24" in on-center width.

Enhanced Transfer Prevention

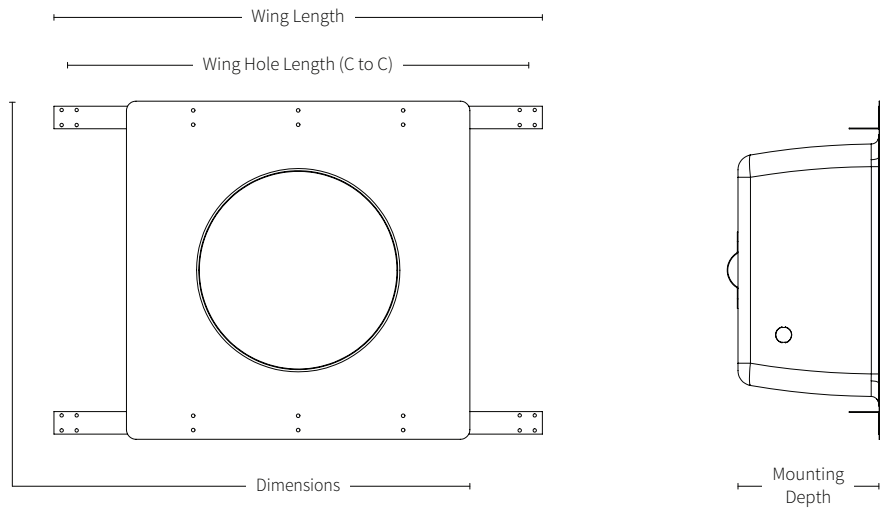
Filled with sound damping insulation, the metal sound enclosures prevent audio from travelling to surrounding rooms while enhancing the bass response of Director Collection speakers for the installed listening area.

Secure Tie-Off

A metal tie-off on the back of the enclosure allows for it to be hung from the ceiling for a secure suspended installation, meeting critical safety requirements for multi-level buildings.

Specifications

Model	FB10	FBD82X8	FBD82X6
Part Number	FBXD10000R	FBXC6800R	FBXD68000R
Faceplate Dimensions	17.99 x 17.72" (457 x 450mm)	17.99 x 17.72" (457 x 450mm)	17.99 x 17.72" (457 x 450mm)
Box Dimensions	16.93 x 13.22" (430 x 336mm)	16.93 x 13.22" (430 x 336mm)	16.93 x 13.22" (430 x 336mm)
Wing Length	25.625" (651mm)	25.625" (651mm)	25.625" (651mm)
Wing Hole Length (C to C)	24" (610mm)	24" (610mm)	24" (610mm)
Cutout Diameter	10.375" (264mm)	8.75" (222mm)	8.75" (222mm)
Mounting Depth	7.5" (191mm)	7.5" (191mm)	5.1" (129mm)



*Not to Scale

