

## Seasons Overview

Origin Acoustics is the team that invented the architectural loudspeaker speaker category over thirty years ago. Today that same team is producing the finest in-ceiling and in-wall speakers available. These speakers represent patented, state-of-the-art technology that has resulted in unparalleled sound quality that blends seamlessly into any décor.

Taking entertainment outside is a balance of audible accuracy, dispersion and power. The Seasons On-wall Collection utilizes a unique driver configuration in a triangular cabinet with active woofers and tweeters firing forward and dual passive radiators firing off the back two sides. This means substantial bass and greater achievable volume levels to fill the yard, deck or pool area with impressive sound. The collection is available in six models include two that deliver both stereo channels from a single enclosure.



**OS50 Series**

**OS60 Series**



**OS54**



**OS56**



**OS54 DT**



**OS64**



**OS66**



**OS64 DT**

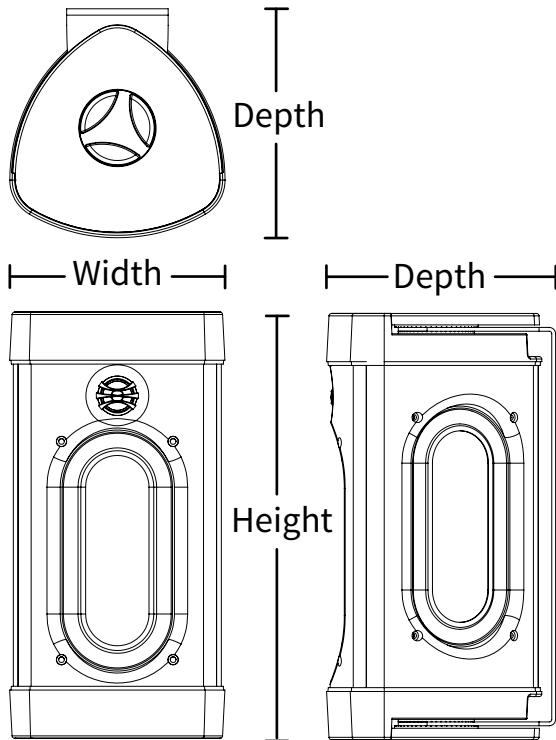
## Features

- **Dual Plane Stabilized Diaphragm (DPSD™) Tweeter**  
The upper two performance levels feature this patented tweeter, which has greater output and is able to crossover much lower to either the woofer or the midrange improving both dispersion and frequency response.
- **X-Wave™ Woofer Surround**  
This suspension element absorbs unwanted frequencies that reflect up and down the woofer cone reducing harmonic distortion while maintaining the desired linear travel of the woofer.

- **Woofer Cone Materials**  
Origin woofers were designed from the ground up using only the finest materials. Depending on the performance level the cones are made of either Injection Molding Graphite (IMG), Fiberglass or Kevlar™. In every case the cone is both rigid and light allowing it to respond with speed and precision.
- **Compression Molded Baskets**  
These complex baskets that support the woofer cones were computer designed and compression molded with absolute precision allowing for unique support and venting elements to assure peak performance.

# Specifications

	OS5 Series	OS6 Series
<b>Height</b>	10.5" (266mm)	13" (330mm)
<b>Width</b>	7" (178mm)	7" (178mm)
<b>Depth</b>	7" (178mm)	7" (178mm)



Model Number	OS54	OS56	OS54DT	OS64	OS66	OS64DT
<b>Part Number</b>	OCS5400	OC5600	OCS5400DT	OCS6400	OCS6600	OCS6400DT
<b>Tweeter Dome</b>	Aluminum	Aluminum	Aluminum	Aluminum	Aluminum	Aluminum
<b>Tweeter Diameter</b>	0.75" (20mm)	0.75" (20mm)	0.75" (20mm) (x2)	1" (25mm)	1" (25mm)	1" (25mm) (x2)
<b>Woofers Cone</b>	IMG	Fiberglass	IMG	IMG	Fiberglass	IMG
<b>Woofers Diameter</b>	5.25" (134mm)	5.25" (134mm)	5.25" (134mm)	4x8" (100x200mm)	4x8" (100x200mm)	4x8" (100x200mm)
<b>Frequency Response</b>	68Hz-24kHz	63Hz-24kHz	68Hz-24kHz	60Hz-24kHz	52Hz-24kHz	60Hz-24kHz
<b>Impedance</b>	8 ohm	8 ohm	8 ohm	8 ohm	8 ohm	8 ohm
<b>Power Handling</b>	5-70 watts	5-60 watts	5-80 watts	5-80 watts	5-70 watts	5-100 watts
<b>Sensitivity</b>	88dB ± 3dB	88dB ± 3dB	90dB ± 3dB	88dB ± 3dB	88dB ± 3dB	90dB ± 3dB

For all warranty information, please refer to the Origin Acoustics website.

Due to continuous product improvement, all features and specifications are subject to change without notice. Please check [www.originacoustics.com](http://www.originacoustics.com) for up-to-date product information.

©2014 Origin Acoustics. All copyrighted, trademarked and patented elements mentioned herein are the sole property of Origin Acoustics.

[www.originacoustics.com](http://www.originacoustics.com)

