

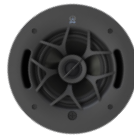


70V IN-CEILING LOUDSPEAKERS

PRICE & PERFORMANCE

Our In-Ceiling Collection goes above and beyond the competition with integrator friendly features and overall musicality. Each model is a 2-way loudspeaker with a pivoting Silk DPSD™ tweeter, utilizing Origin's patented Multi-Motion Pivot™ for superior aiming and dispersion. With an integrated conduit lock, heavy-duty dog-ears, and secure euro-block connections, this series is ready for installation into even the most challenging commercial environments. Black and white, low-profile paintable grilles reduce ceiling visibility and are available in square or round.

PRODUCT ID



PCSUB8

PC80

PC60

PC50



70V IN-CEILING LOUDSPEAKERS



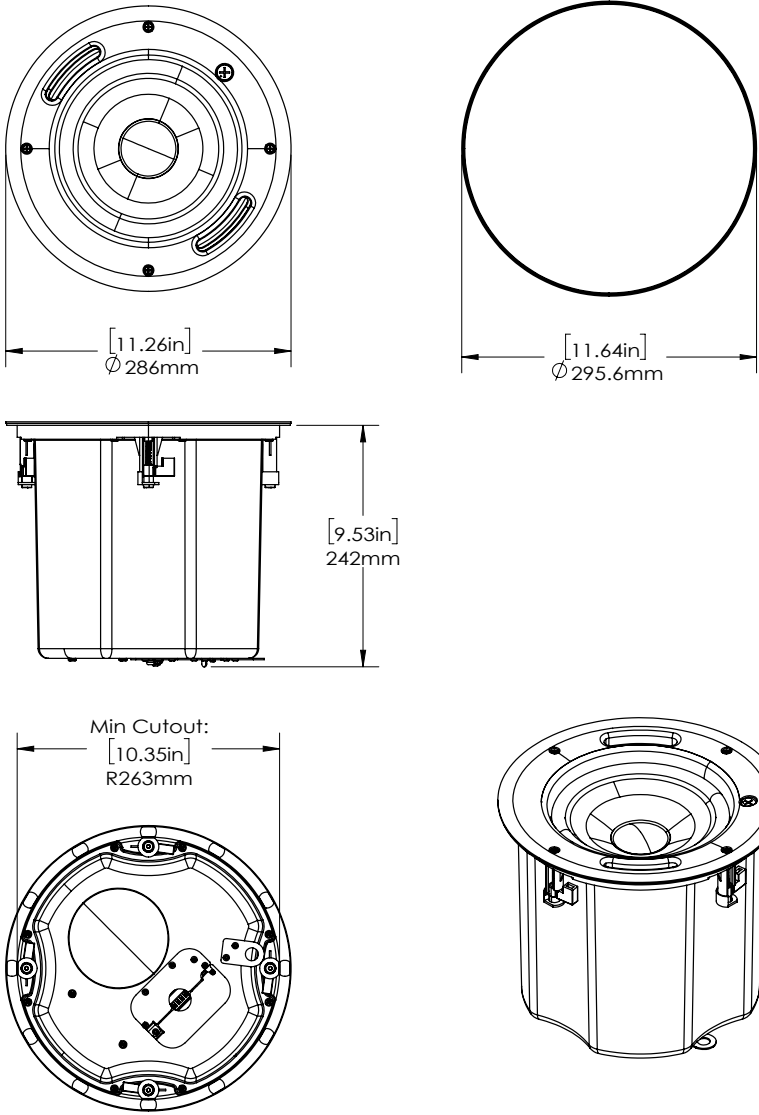
SPECIFICATIONS	PCSUB8	PC80	PC60
Part	SPCSUB80B, SPCSUB80W	SPC80000B, SPC80000W	SPC60000B, SPC60000W
Woofers	8" IMPP	8" IMPP	6 1/2" IMPP
Tweeter	-	1" Silk DSPD™ MMP™	1" Silk DSPD™ MMP™
Power Handling (Program Power)	200 Watts	120 Watts	80 Watts
Power Handling (Cont. Pink Noise)	100 Watts	60 Watts	40 Watts
Frequency Response	(- 10dB): 39Hz-250Hz (- 3dB): 55Hz-250Hz	(- 10dB): 41Hz-20kHz (- 3dB): 60Hz-20kHz	(- 10dB): 50Hz-20kHz (- 3dB): 64Hz-20kHz
Nominal Coverage Angle	180 Degree Conical Coverage	100 Degree Conical Coverage	115 Degree Conical Coverage
Sensitivity @1m	91dB	92dB	91dB
Rated Maximum SPL	110dB	112dB	108dB
Impedance	6 Ohm Nominal	6 Ohm Nominal	6 Ohm Nominal
Transformer Taps	70V -100W, 50W, 25W, 12.5W 100V - 100W, 50W, 25W	70V - 60W, 30W, 15W, 7.5W 100V - 60W, 30W, 15W	70V - 60W, 30W, 15W, 7.5W 100V - 60W, 30W, 15W
Diameter	11 1/4" (286mm)	11 1/4" (286mm)	9 5/8" (244mm)
Cutout Diameter	10 1/2" (266mm)	10 1/2" (266mm)	8 13/16" (224mm)
Grille Diameter	11 5/8" (296mm)	11 5/8" (296mm)	10" (254mm)
Mounting Depth	9 1/2" (242mm)	9 1/2" (242mm)	8" (202mm)
Feature	Metal Can, Zinc Plated	Metal Can, Zinc Plated	Metal Can, Zinc Plated

SPECIFICATIONS	PC50
Part	SPC50000B, SPC50000W
Woofers	5 1/4" IMPP
Tweeter	3/4" Silk DSPD™ MMP™
Power Handling (Program Power)	60 Watts
Power Handling (Cont. Pink Noise)	30 Watts
Frequency Response	(- 10dB): 54Hz-20kHz (- 3dB): 80Hz-20kHz
Nominal Coverage Angle	120 Degree Conical Coverage
Sensitivity @1m	89dB
Rated Maximum SPL	106dB
Impedance	6 Ohm Nominal
Transformer Taps	70V - 30W, 15W, 7.5W, 3.75W 100V - 30W, 15W, 7.5W
Diameter	8 1/4" (210mm)
Cutout Diameter	7 1/2" (190mm)
Grille Diameter	8 1/16" (220mm)
Mounting Depth	8" (202mm)
Feature	Metal Can, Zinc Plated

70V IN-CEILING LOUDSPEAKERS



LINE DRAWINGS



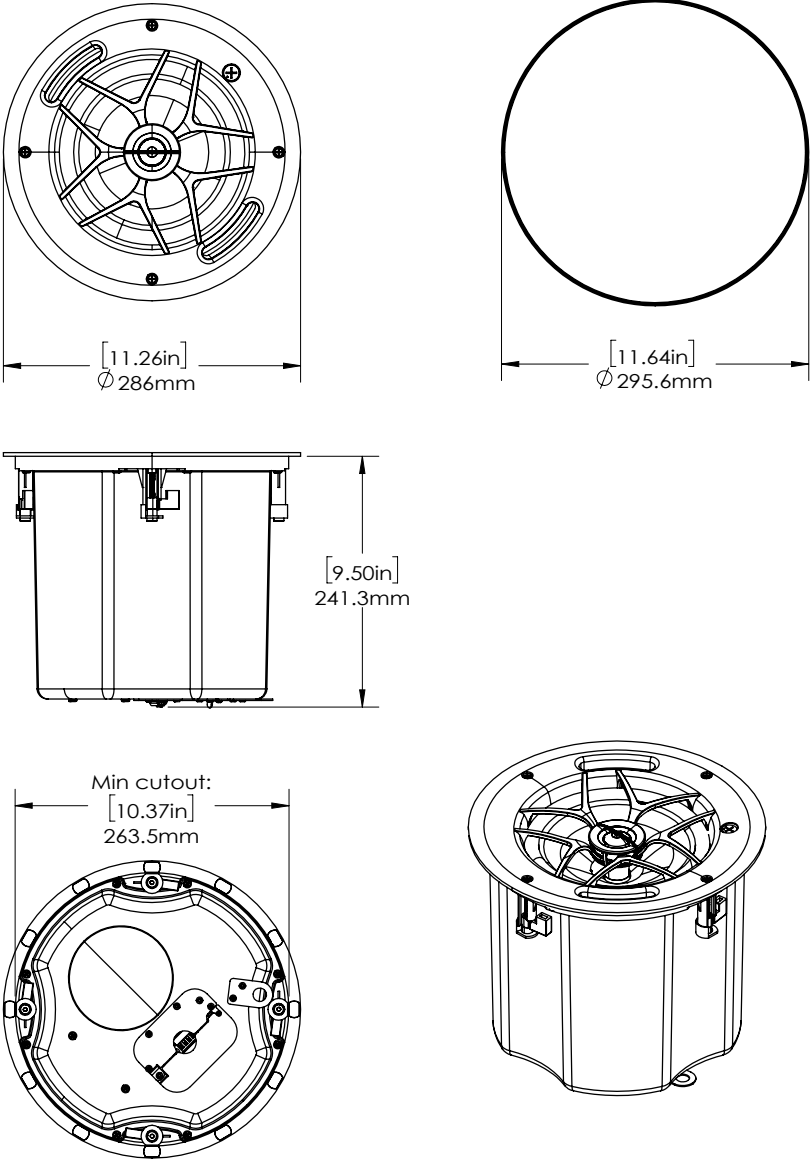
PCSUB8

Please see originacoustics.com for the most updated information concerning these specifications. Products may only be purchased through an authorized integration partner.

70V IN-CEILING LOUDSPEAKERS



LINE DRAWINGS



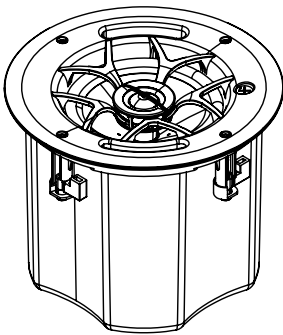
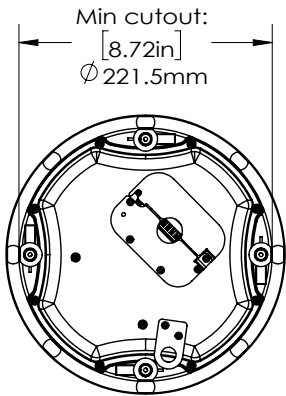
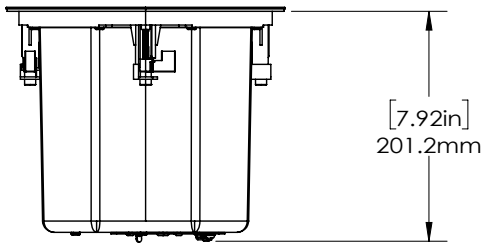
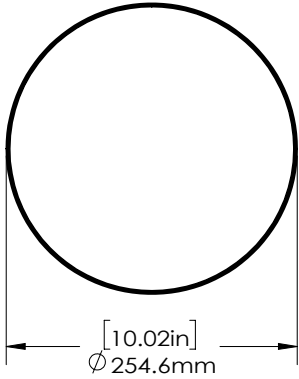
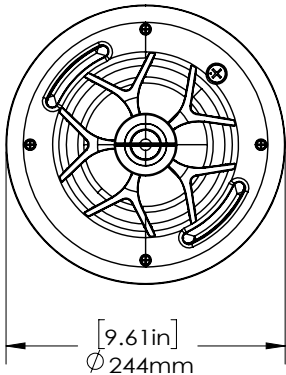
PC80

Please see originacoustics.com for the most updated information concerning these specifications. Products may only be purchased through an authorized integration partner.

70V IN-CEILING LOUDSPEAKERS



LINE DRAWINGS



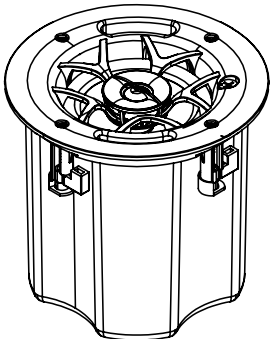
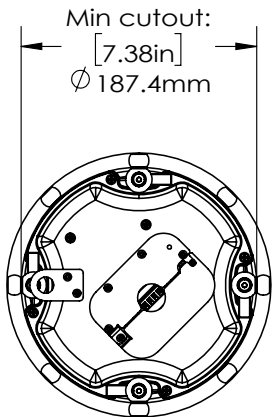
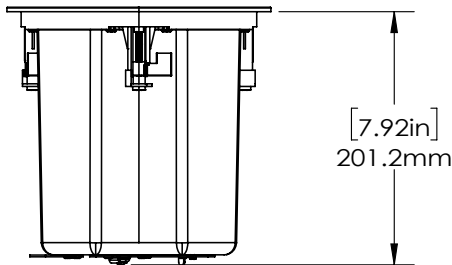
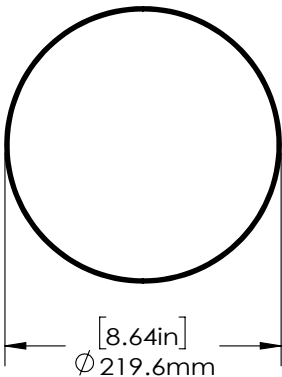
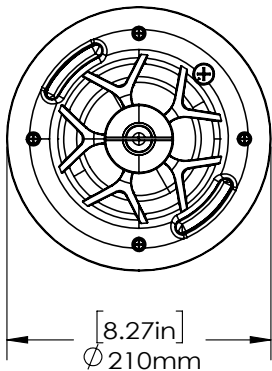
PC60

Please see originacoustics.com for the most updated information concerning these specifications. Products may only be purchased through an authorized integration partner.

70V IN-CEILING LOUDSPEAKERS



LINE DRAWINGS



PC50

Please see originacoustics.com for the most updated information concerning these specifications. Products may only be purchased through an authorized integration partner.