



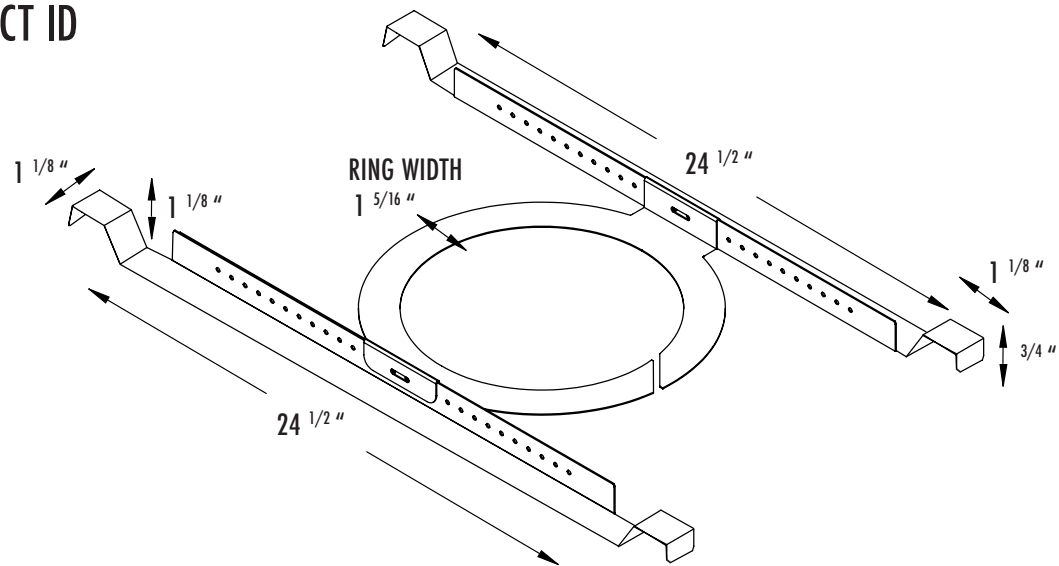
# TILE BRIDGE

PCTB80 | PCTB60 | PCTB50

## OVERVIEW

The Tile Bridge (PCTB) is designed to offer additional mounting support for Professional Collection In-Ceiling Speaker. It may be used in drop ceiling installation applications involving acoustic ceiling tile 2' x 2' or 2' x 4'.

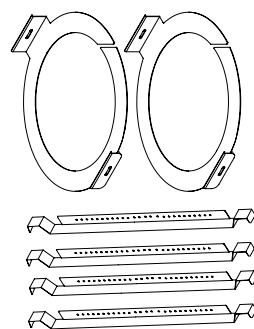
## PRODUCT ID



## WHAT'S INCLUDED

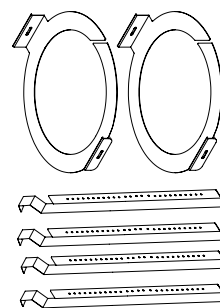
Tile Bridge (1 pair), contains:

- Support Ring (x 2)
- Rails (x 4)
- Pegs (x 10) (Includes x 2 extra)



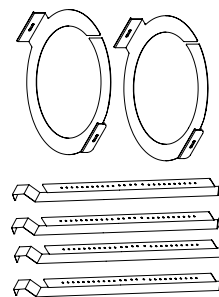
(x 12)

PCTB80



(x 12)

PCTB60



(x 12)

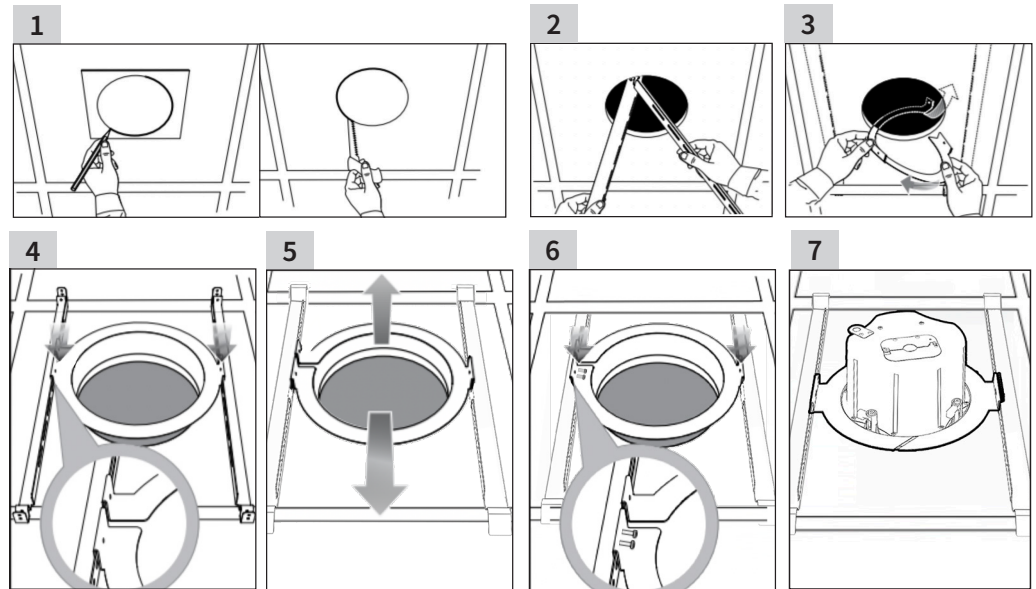
PCTB50





# TILE BRIDGE PCTB80 | PCTB60 | PCTB50

## DROP CEILING INSTALLATION



1. Make cut-out hole in ceiling tile using template supplied with loudspeaker.
2. Insert the two rails through the hole.
3. Twist the support ring into the hole. The ring is split to allow it to be inserted through the hole.
4. Align ring hole with rail holes and mount each end of rails securely onto the tee bars.
5. Center ring over ceiling hole.

Typically, the ceiling speaker will be mounted in the center of the ceiling tile. The speaker can be mounted in other locations in the ceiling tile by moving the ring and/or tile bridge assembly if desired, however, care must be taken to ensure that the PCTB rails are properly mounted and secured onto the tee bars.

6. Once you have positioned the PCTB at the desired location, fasten the ring with the rails using the push-in pegs (included).
7. Sandwich the tile between the PCTB and the speaker bezel and tighten the speaker clamps.
8. Complete speaker installation and connections as directed in speaker's instruction manual.

**INSTALLATION HELP:** If you have any questions or concerns about installing or using this product, you can reach us through one of the following methods:

Phone: (844) 674-4461

Hours of operation: 8:00am - 5:00pm (Pacific Time), Mon - Fri



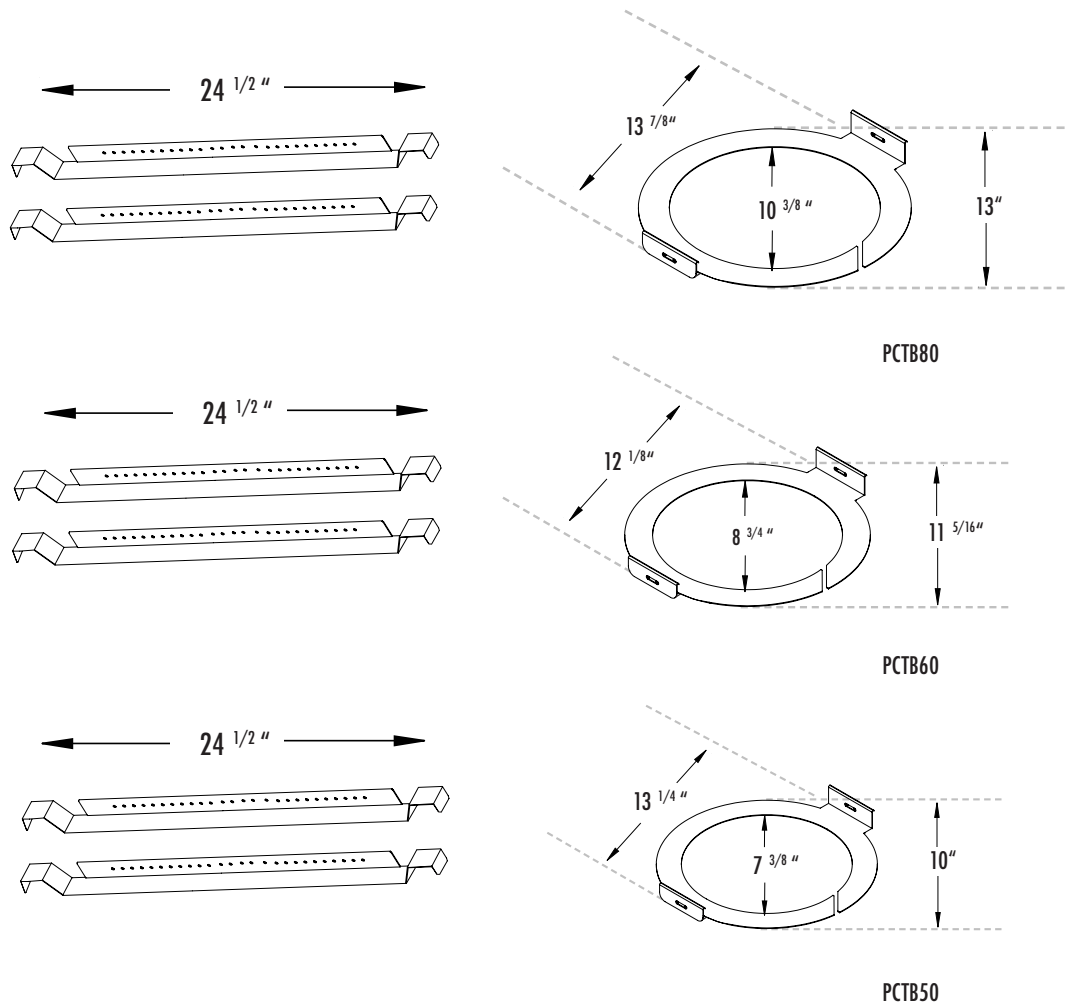
# TILE BRIDGE PCTB80 | PCTB60 | PCTB50

**PLEASE NOTE:** If you are having technical trouble, please include the model number and briefly explain what steps you took to resolve the problem in your email, or be prepared to answer these questions over the phone.

If you are considering returning the product, it's required that you contact Origin Acoustics prior to any return attempts.

This way we can determine if the issue can be resolved without returning the product, or if needed we can provide instructions and support for the return process.

## LINE DRAWINGS



Please see [originacoustics.com](http://originacoustics.com) for most the most updated information concerning these specifications. Products may only be purchased through an authorized integration partner.