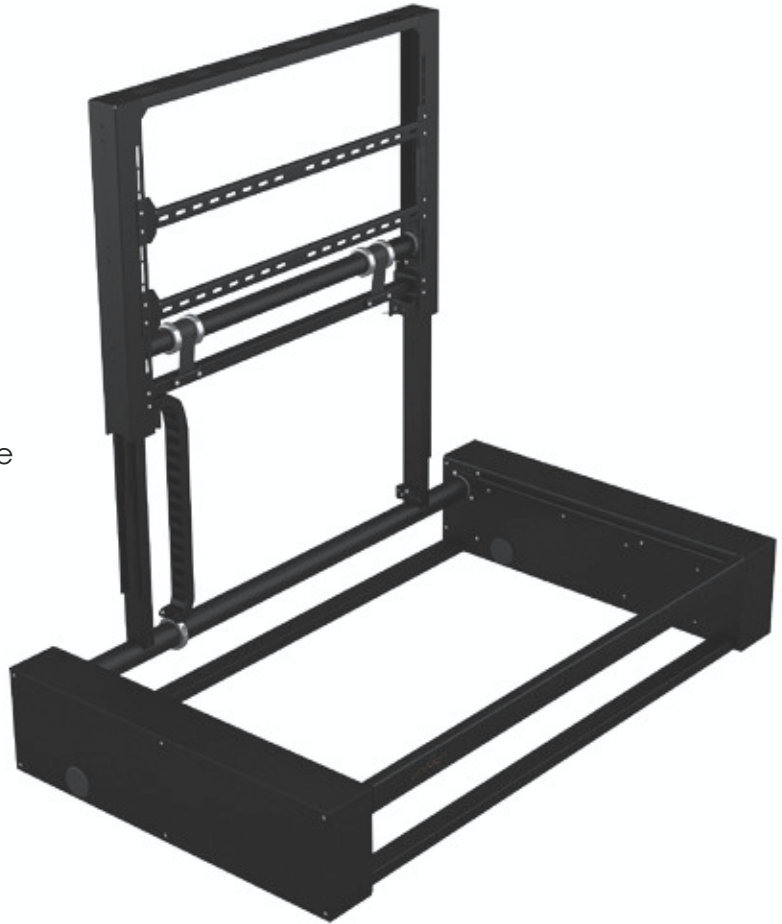




Flat panel table/furniture lifts

FPLT V2-500 (350)

FPLT V2-500 (350) models with simple swiveling up to 90 degrees and vertical elevation up to 500mm:



Technical details

Model	FPLT V2-350 30-40	FPLT V2-500 42-50	FPLT V2-500 52-60
Maximum flat panel dimensions (WxHxD)	≤ 1025x620x100mm	≤ 1280x756x100mm	≤ 1480x900x100mm
Maximum load (flat panel+ceiling cover)	35kg	40kg	45kg
Lift dimensions (WxHxD)	1336x250x774mm	1591x250x910mm	1791x250x1054mm
Maximum swiveling angle	90degrees		
Vertical elevation up to	350mm	500mm	
Mounting flat panel hole pattern up to	600x400mm	800x400mm	800x600mm
Cable management system	✓		
Standard color of metallic parts	RAL 9005 black		
Power supply	wire control at 230VAC-50Hz		
Optional controls	RF & IR remote control, low voltage contacts		