

TECHNICAL DATA SHEET - Vibration Absorber Ceiling Mount for Structural Ceilings

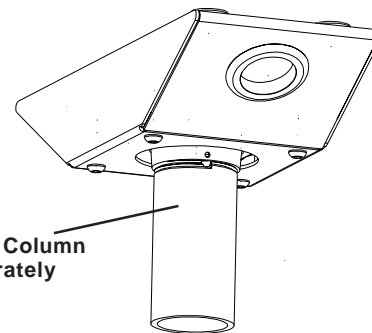
peerless®
Solid Solutions - Solid Support™

MODEL: ACC 840

The Vibration Absorber Ceiling Mount for wood installations reduces unwanted vibrations on mounting surface that may cause internal damage or cause interference with projector image. If mounting to Unistrut®, order model ACC 845.

Features:

- Shock absorbing rubber bumpers isolate mounting point to projector from main mounting surface
- Mounts directly to wood joist finished ceilings, exposed wood joists or wood beam ceilings only
- Cord management access holes allow cords to run through the extension column and exit to a power source (note: ACC 800 is needed for Vector Pro™ cord management)
- For use with Peerless Projector mounts
- Accepts Peerless EXT or ADJ 1 1/2" schedule 40 extension columns
- Scratch resistant black fused epoxy finish



Extension Column
sold separately

Dimensions:

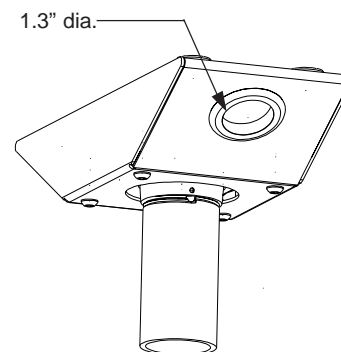
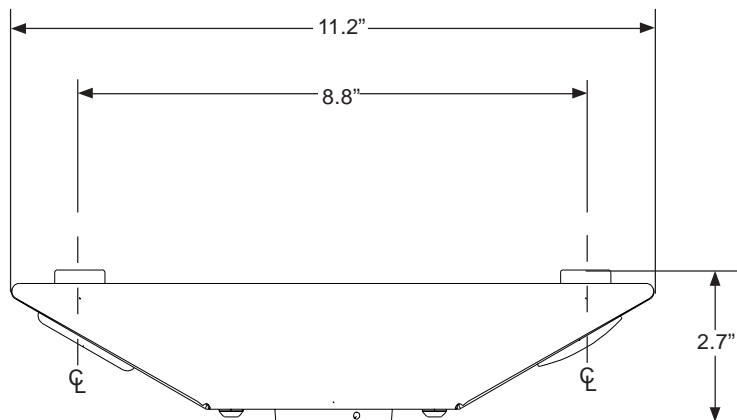
Weight: 3.60 lbs (1.6 kg)

Shipping weight: 4.12 lbs (1.9 kg)

Maximum Load Capacity: 60 lbs (27.2 kg)

Shipping Carton dimensions:

**L= 12.25 in (311 mm) W= 9.625 in (244 mm)
H= 4.0 in (101.6 mm)**



1.3" dia.

ARCHITECTSSPECIFICATIONS:

The Vibration Absorber Ceiling Mount for finished or structural ceilings shall be a Peerless model **ACC 840** and shall be mounted where indicated on the plans. It shall use shock absorbing rubber bumpers. It shall mount directly to finished or structural ceilings using wood mounting screws. It shall feature cord management access holes on ends of mount. It shall be finished in scratch resistant black fused epoxy. Installation and assembly shall be done in accordance with the instructions provided by the manufacturer.

Peerless Industries, Inc.
3215 W. North Ave. Melrose Park, IL 60160
708-865-8870 800-865-2112 Fax 708-865-2941
www.peerlessindustries.com

ISSUED: 01/25/02 SHEET NO: 055-9574-2 12-28-04

©2004 Peerless Industries, Inc. All rights reserved.
Peerless is a registered trademark of Peerless Industries, Inc.
Unistrut® is a registered trademark of Peerless Industries, Inc.