

ST650(P)



Mounting Pattern
742 x 405mm
(29.21" x 15.95")



Max Load
175lb
(79kg)

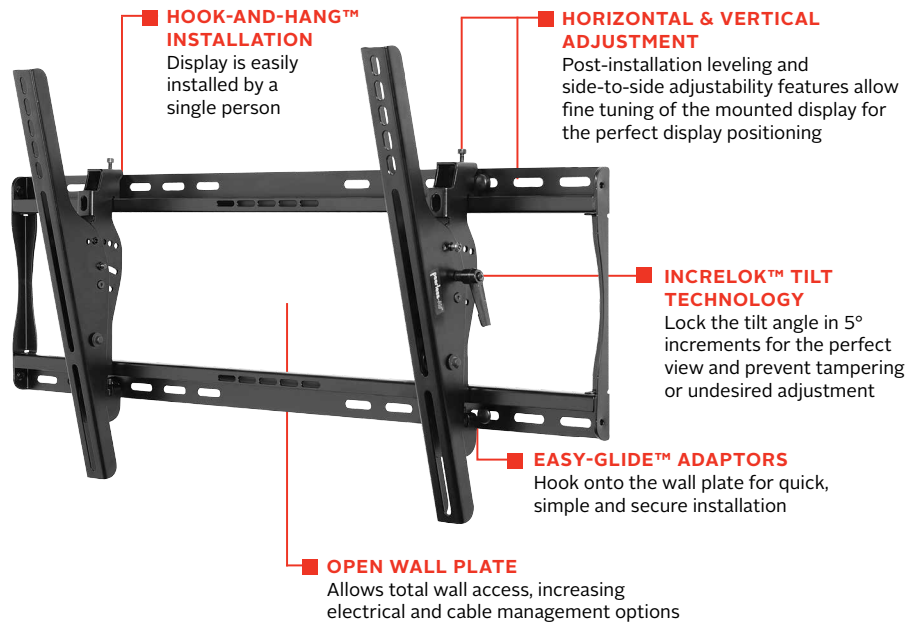
SMARTMOUNT

Universal Tilt Wall Mount

FOR 39" TO 75" DISPLAYS

The SmartMount® Universal Tilt Wall Mount series offers the most versatile installation features and mounting options. Horizontal and vertical adjustment abilities allow for post installation leveling and side-to-side positioning, making it easier than ever to find the perfect TV position. Lock the tilt angle at installation to prevent tampering or moving with the IncreLok™ tilt technology. Security screws provided in the ST650 models deter tampering and theft. The open wall plate design offers total wall access, increasing the electrical and cable management options. The display can now simply be installed by a single person with the Hook-and-Hang™ system. The Easy-Glide™ adaptors hook onto the wall plate for an overall quick, simple and secure installation.

- Universal mount fits displays with mounting patterns up to 742 x 405mm (29.21" W x 15.95" H) and accommodates up to 600 x 400mm VESA® patterns
- Adjustable 15° forward tilt and 5° backward tilt for finding the optimal viewing angle
- Easy-Grip™ ratcheting handle locks tilt angle into place
- Up to 0.25" (6mm) of vertical adjustment on each universal display adaptor bracket for post-installation leveling and height adjustment fine-tuning
- Horizontal display adjustment up to 8.00" (203mm) for centering display on wall
- Includes all necessary wall and display attachment hardware
- Integrated security options available
- Design is UL listed and tested to four times stated load capacity
- For mounts requiring theft resistant hardware, installed with security tool (included), please purchase ST650
- For mounts requiring standard hardware, installed with a Philips screwdriver, please purchase ST650P



+15°/-5° of tilt for versatile viewing angles.



Comes in color packaging with included installation hardware and easy to follow instructions.



Please visit peerless-av.com/en-us/patents for patent information.

Model Numbers

WARRANTY: Limited 5-year

ST650P	SmartMount® Universal Tilt Wall Mount for 39" to 75" Displays - Standard Models
ST650	SmartMount® Universal Tilt Wall Mount for 39" to 75" Displays - Security Models

Product Specifications

	DIMENSIONS (W x H x D)	PRODUCT WEIGHT	LOAD CAPACITY	FINISH	AVAILABLE COLORS
ST650(P)	31.26" x 16.89" x 2.62"-5.40" (794 x 429 x 67-137mm)	8.15lb (3.70kg)	175lb (79kg)	Scratch Resistant Fused Epoxy	Semi-Gloss Black

Package Specifications

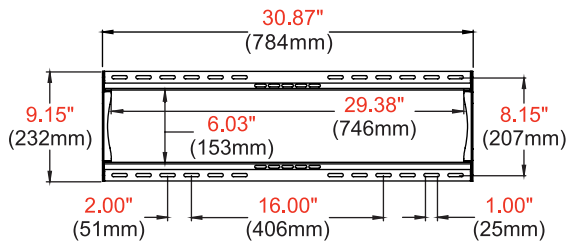
	PACKAGE SIZE (W x H x D)	PACKAGE SHIP WEIGHT	PACKAGE UPC CODE	PACKAGE CONTENTS	UNITS IN PACKAGE
ST650(P)	33.19" x 2.95" x 10.71" (843 x 75 x 272mm)	10.35lb (4.70kg)	ST650: 735029235941 ST650P: 735029235965	Wall Mount, Wall and Display Installation Hardware, Installation Instructions	1

Accessories

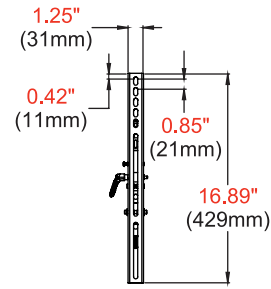
ACC415: 4-pack Metal Stud Fastener Kit
ACC309: Video Conference Shelf
ACC-UCM: Universal AV Component Mount

ACC-WMVCs: Video Conferencing Shelf
ESHV models: AV Wall Shelves
IBA4-W: Easy Mount Recessed Low Voltage Cable Plate

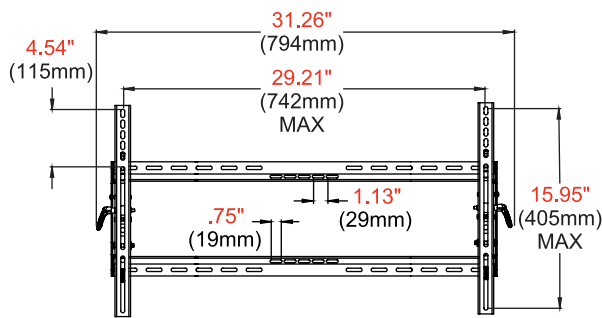
All dimensions = inch (mm)



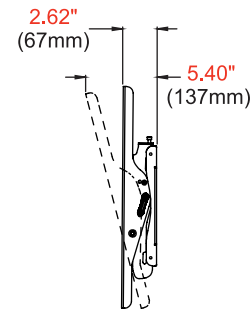
WALL PLATE



ADAPTOR BRACKET



FRONT VIEW



**SIDE VIEW
+15°/-5° TILT**

Architect Specifications

The SmartMount® Tilt Wall Mount shall be a Peerless-AV model ST650(P) and shall be located where indicated on the plans. Assembly and installation shall be done according to instructions provided by the manufacturer.

Visit peerless-av.com to see the complete line of AV solutions from Peerless-AV, including outdoor displays, wireless, kiosks, digital audio, display mounts, projector mounts, carts/stands, and a full assortment of accessories.

Peerless-AV
 2300 White Oak Circle
 Aurora, IL 60502 USA
(800) 865-2112
(630) 375-5100
Fax: (800) 359-6500

Peerless-AV EMEA
 Unit 3 Watford Interchange
 Colonial Way, Watford
 Herts, WD24 4WP
 United Kingdom
+44 (0) 1923 200100
Fax: +44 (0) 1923 200101

Peerless-AV Latin America
 Ave de las Industrias 413
 Parque Industrial Escobedo
 Escobedo, N.L.,
 Mexico 66062
+52 (81) 8384-8300
Fax: +52 (81) 8384-8360

peerless-AV®
 Driving Technology Through Innovation