

DS-VW765-LQR



	<b>Mounting Pattern</b> 200 x 200 up to 700 x 400mm		<b>Max Load</b> 125lb (56.8kg)
--	---	--	--------------------------------------



## SMARTMOUNT.

# Full-Service Video Wall Mount with Quick Release - Landscape

FOR 46" TO 65" DISPLAYS

Video walls should be easy to configure, quick to install, and a snap to maintain. The SmartMount® Full-Service Video Wall Mount with a Quick Release is designed for quick service access in recessed video wall applications. This mount provides versatility demanded by installers. With quick release functionality, users have the ability to articulate the display from the wall by gently pressing on the front of the display. The DS-VW765-LQR offers tool-less micro-adjustment and provides easy-access to any display. The custom wall plate spacers eliminate guesswork and on-site installation calculations, reducing installation time and cost.

- Quick release can be disabled with a locking screw to prevent unintentional pop-outs
- Modular mount for unlimited video wall display configurations
- Pull-out/prop-open mechanism provides quick service access
- Integrated cable management tie-backs make display-to-display cabling simple

**REUSABLE CUSTOM WALL SPACERS\***  
Eliminate guesswork and on-site installation calculations  
\*Sold separately

**QUICK RELEASE MECHANISM**  
Provides convenient display access in recessed applications

**ADJUSTABLE CARRIAGE EXTENSION FORCE**  
Adjustable to the weight of the display, allowing the quick release mechanism to activate with gentle force

**NO TOOLS REQUIRED FOR MICRO-ADJUSTMENT**  
Simple, tool-less micro-adjustments at 8 points seamlessly align the displays



Eliminate the guesswork during installation with the Peerless-AV® Video Wall Locator app.



Please visit [peerless-av.com/en-us/patents](http://peerless-av.com/en-us/patents) for patent information.

✉ [info@peerless-av.com](mailto:info@peerless-av.com)  
🌐 [peerless-av.com](http://peerless-av.com)

**peerless-AV®**  
Driving Technology Through Innovation

DS-VW765-LQR SmartMount® Full Service Video Wall Mount with Quick Release - Landscape for 46"-65" Displays

**Product Specifications**

	DIMENSIONS (W x H x D)	PRODUCT WEIGHT	LOAD CAPACITY	FINISH	AVAILABLE COLORS
DS-VW765-LQR	35.59" x 21.37" x 3.08"-3.83" (904 x 543 x 78-97mm)	32.6lb (14.8kg)	125lb (56.8kg)	Textured	Black

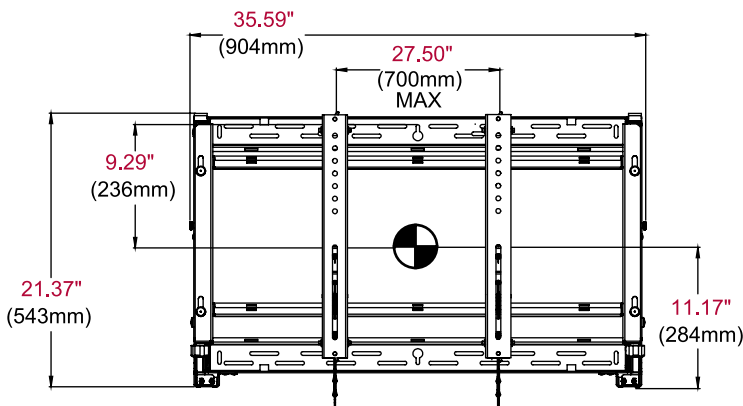
**Package Specifications**

	PACKAGE SIZE (W x H x D)	PACKAGE SHIP WEIGHT	PACKAGE UPC CODE	PACKAGE CONTENTS	UNITS IN PACKAGE
DS-VW765-LQR	37.13" x 23.38" x 4.25" (943 x 594 x 108mm)	39lb (17.6kg)	735029300847	Wall Mount Assembly, Mounting Attachment Rails & Fasteners	1

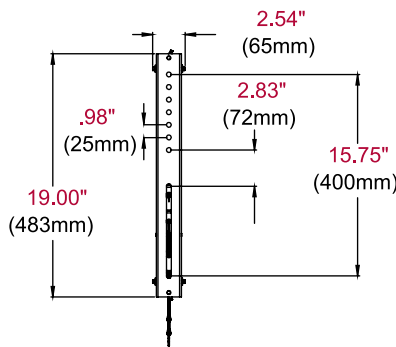
**Accessories**

- DS-VWS###: Wall Plate Alignment Spacers
- DS-ACC770: Media Player Mounting Bracket
- ACC-DHK: Display Handling Kit
- ACC-DHP6: Display Handling Kit Replacement Pads - 6pk
- PLP-V models: Dedicated Adaptor Plates

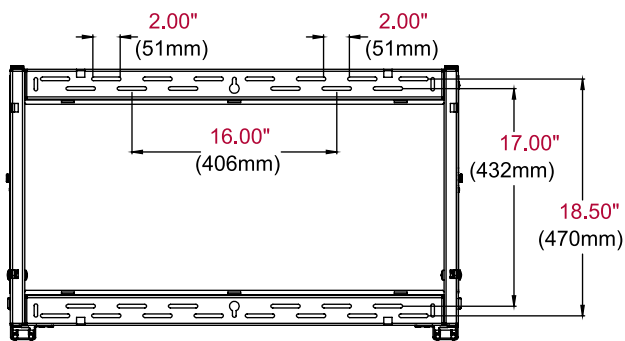
All dimensions = inch (mm)



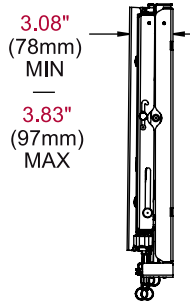
**FRONT VIEW**



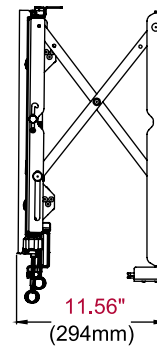
**ADAPTER BRACKET**



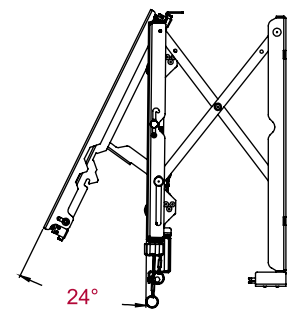
**WALL PLATE**



**SIDE VIEW**



**SIDE VIEW EXTENDED**



**COMPONENT ACCESS**

**Architect Specifications**

The SmartMount® Full-Service Video Wall Mount with Quick Release - Landscape shall be a Peerless-AV model DS-VW765-LQR and shall be located where indicated on the plans. Assembly and installation shall be done according to instructions provided by the manufacturer.

Visit [peerless-av.com](http://peerless-av.com) to see the complete line of AV solutions from Peerless-AV, including outdoor displays, wireless, kiosks, digital audio, display mounts, projector mounts, carts/stands, and a full assortment of accessories.

**Peerless-AV**  
2300 White Oak Circle  
Aurora, IL 60502 USA  
  
**(800) 865-2112**  
**(630) 375-5100**  
**Fax: (800) 359-6500**

**Peerless-AV EMEA**  
Unit 3 Watford Interchange  
Colonial Way, Watford  
Herts, WD24 4WP  
United Kingdom  
**+44 (0) 1923 200100**  
**Fax: +44 (0) 1923 200101**

**Peerless-AV Latin America**  
Ave de las Industrias 413  
Parque Industrial Escobedo  
Escobedo, N.L.,  
Mexico 66062  
**+52 (81) 8384-8300**  
**Fax: +52 (81) 8384-8360**

