

MOD-FPMD2



Display size
46"-90"



Max load
211lb (96kg)
per display

Modular Series Dual-Pole Back-to-Back Display Mount

FOR 46" TO 90" DISPLAYS

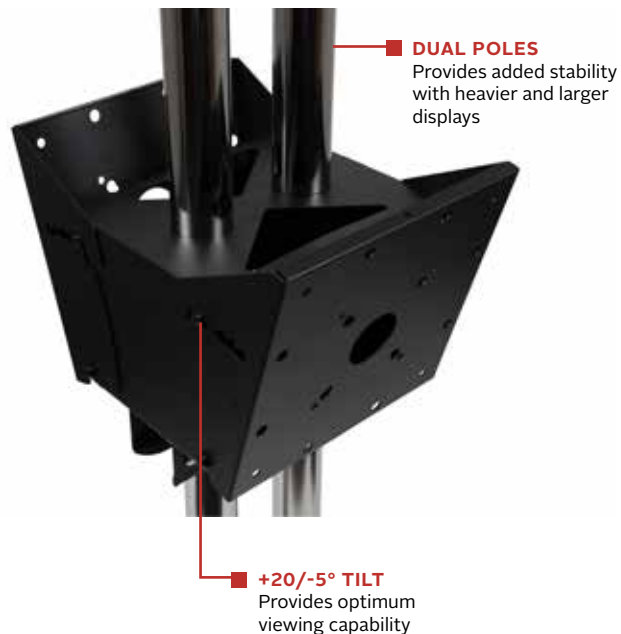
The Peerless-AV Modular Mounts Line offers a range of products to fulfill multiple requirements with a limited number of components. The universality of the components allows you to configure your perfect custom flat-panel display or projector mounting solution for any application. The Modular Mount Line was developed with the professional AV installer in mind. Designed around a 2" (50mm) diameter pole, the line is ideal for new projects as well as for upgrading any existing installations.

The MOD-FPMD2's tilt box is the perfect solution when mounting displays with Peerless-AV's Modular Series Line mounts.



Additional Features

- ✓ Back to back display mounting solution for 46"-90" displays (MOD-UNL2 or PLP display adaptor may be required)
- ✓ Built in VESA® 200 x 200mm display mount pattern (requires ACC925 display mounting hardware)
- ✓ Accommodates either MOD-UNL2 or a Peerless-AV PLP display adaptor
- ✓ +20/-5° tilt lockable in 5° increments
- ✓ Displays can be mounted in landscape or portrait orientation
- ✓ Included hardware allows attachment at bottom of dual poles for ceiling mount application and requires MOD-ASC2 stacking clamp to affix along the dual pole length for floor mounted applications



MOD-FPMS2 with optional
MOD-ASC2 & MOD-UNL2



MOD-FPMD2 Modular Series Dual-Pole Back-to-Back Display Mount for 46" to 90" Displays

Product Specifications

	DIMENSIONS (W x H x D)	PRODUCT WEIGHT	LOAD CAPACITY	FINISH	AVAILABLE COLORS
MOD-FPMD2	10.35" x 9.55" x 9.00" (263 x 243 x 229mm)	13lb (5.91kg)	211lb (96kg) per display	Powder Coat	Black

Package Specifications

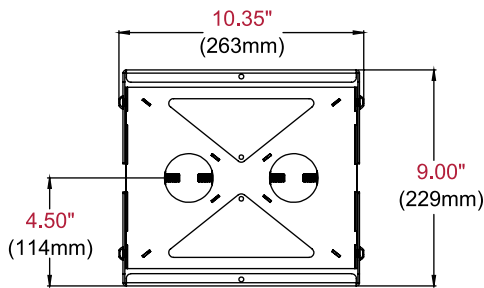
	PACKAGE SIZE (W x H x D)	PACKAGE SHIP WEIGHT	PACKAGE UPC CODE	PACKAGE CONTENTS	UNITS IN PACKAGE
MOD-FPMD2	13.25" x 13.13" x 10.75" (337 x 334 x 273mm)	13.5lb (6.14kg)	735029301141	MOD-FPMD2, (2) support collars (for ceiling mount applications), hardware, instructions	1

Accessories

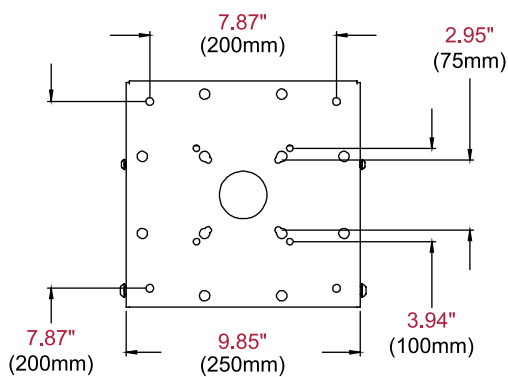
MOD-P100/150/200/300(-B): Extension Poles
MOD-ASC2: Dual Pole Display Mount Stacking Clamp
MOD-UNL2: Large Universal Adaptor
ACC925: Security Fastener Pack

MOD-CPI2: Dual Pole I-Beam Ceiling Plate
MOD-WP2: Dual Pole Wall Plate
MOD-FPP2: Dual Pole Free Standing Floor Plate
MOD-CPF2: Dual Pole Square Ceiling/Floor Plate, Flat
MOD-ACF2: Dual Pole Cosmetic Cover

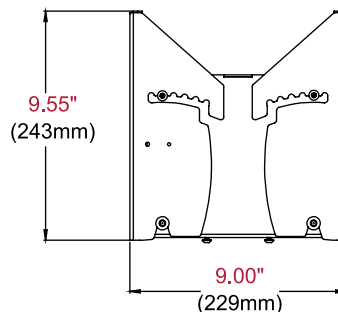
All dimensions = inch (mm)



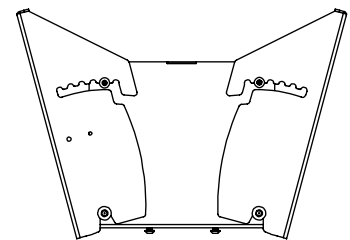
TOP VIEW



FRONT VIEW



SIDE VIEW



+20°/-5° TILT

Architect Specifications

The Modular Series Dual-Pole Back-to-Back Display Mount Interface shall be a Peerless-AV model MOD-FPMD2 and shall be located where indicated on the plans. Assembly and installation shall be done according to instructions provided by the manufacturer.

Visit peerless-av.com to see the complete line of AV solutions from Peerless-AV, including outdoor displays, wireless, kiosks, digital audio, display mounts, projector mounts, carts/stands, and a full assortment of accessories.

Peerless-AV
 2300 White Oak Circle
 Aurora, IL 60502 USA
(800) 865-2112
(630) 375-5100
Fax: (800) 359-6500

Peerless-AV Europe
 Unit 3 Watford Interchange
 Colonial Way, Watford
 Herts, WD24 4WP
 United Kingdom
+44 (0) 1923 200100
Fax: +44 (0) 1923 200101

Peerless-AV de México
 Ave de las Industrias 413
 Parque Industrial Escobedo
 Escobedo, N.L.,
 Mexico 66050
+52 (81) 8384-8300
Fax: +52 (81) 8384-8360

