

DST975-4



Display size  
**37"-75"**



Max load  
**500lb (227kg)**  
125lb (57kg per display)

# Multi-Display Ceiling Mount with Four Telescoping Arms

FOR 37" TO 75" DISPLAYS

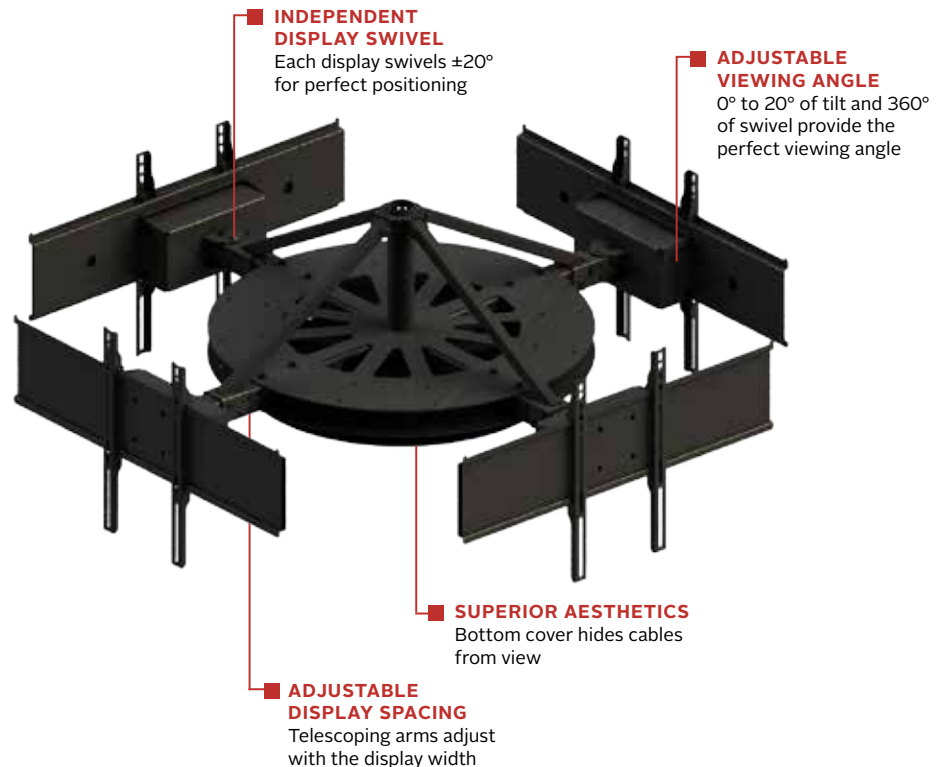
The DST975-4 Multi-Display Ceiling Mount includes telescoping arms that hold four displays evenly spaced in a square or rectangular configuration, helping you create the ideal multi-display ceiling mounted solution. Each arm's adjustable depth allows the installer to set the spacing between each display to meet your application's needs. With 360° of swivel, and 0° to 20° of tilt, this mount creates the perfect viewing angle for any application. The mount has been designed with superior aesthetics in mind and provides a bottom cover, resulting in sleek and clutter-free cable management throughout the entire solution.

*DST975-4's telescoping arms offer spacing flexibility, so you can find the perfect placement for your display.*



## Additional Features

- ✓ Universal mount fits displays with mounting patterns up to 730 x 405mm (28.75"W x 15.95"H)
- ✓ 0° to 20° of tilt and 360° of swivel at time of installation
- ✓ Arms telescope to allow for the desired display spacing
- ✓ Bottom cover provides aesthetically pleasing cable management
- ✓ Tri and Hex options also available



**DST975-4** Multi-Display Ceiling Mount with Four Telescoping Arms for 37"-75" Displays

**Product Specifications**

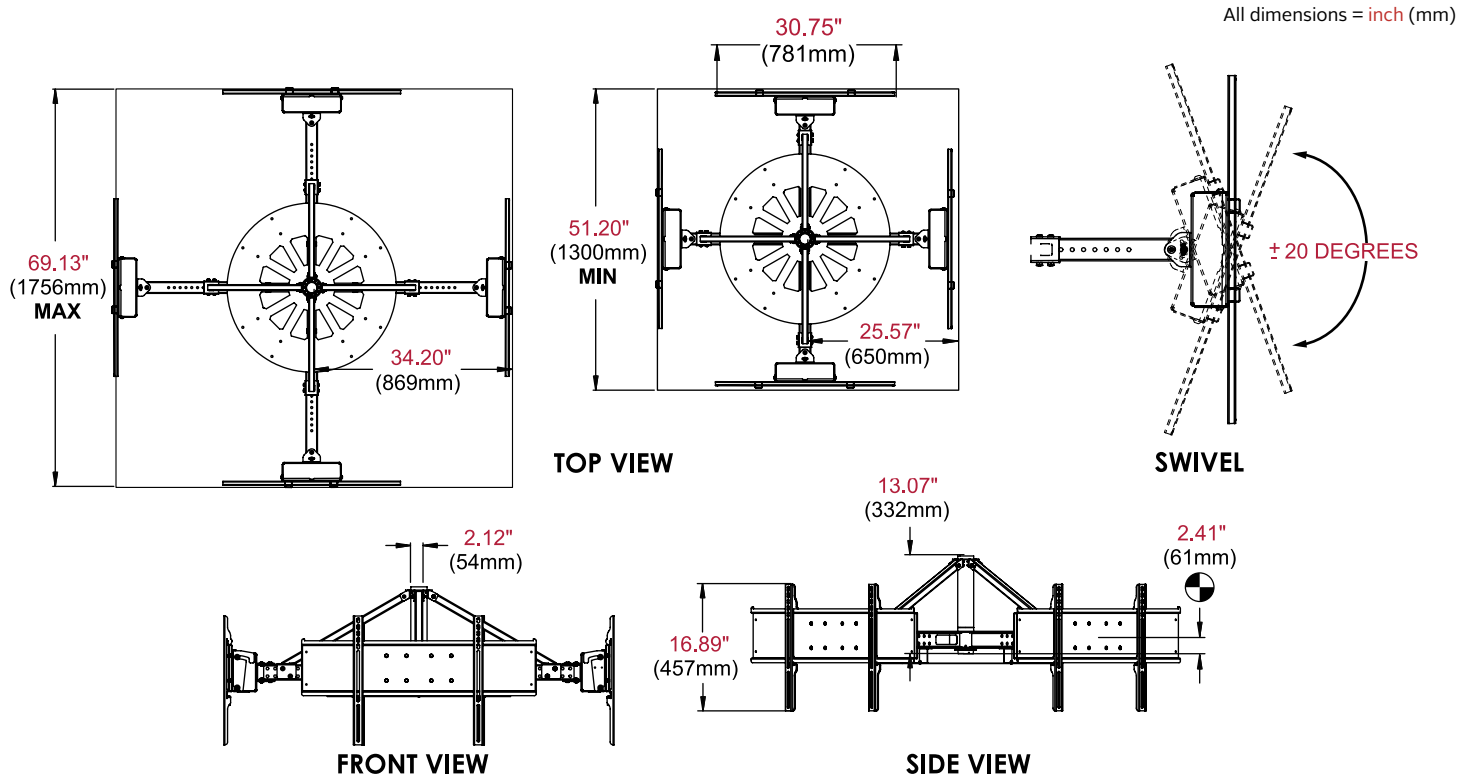
	DIMENSIONS (W x H x D)	PRODUCT WEIGHT	LOAD CAPACITY	FINISH	AVAILABLE COLORS
DST975-4	51.20" x 21.80" x 51.20" (1300 x 554 x 1300mm)	141lb (64.1kg)	500lb (227kg) 125lb (57kg) per display	Matte/Flat	Black

**Package Specifications**

	PACKAGE SIZE (W x H x D)	PACKAGE SHIP WEIGHT	PACKAGE UPC CODE	PACKAGE CONTENTS	UNITS IN PACKAGE
DST975-4	33.10" x 31.90" x 10.75" (841 x 810 x 273mm)	164lb (74.5kg)	735029302469	Mounting hub, telescoping arms, universal adaptor plate and mounting hardware	1

**Accessories**

**ADD Models:** Ceiling Extensions (ADD018024-ADD1012)  
**DCS, DCT Models:** Ceiling Plates



**Architect Specifications**

The Multi-Display Ceiling Mount with Four Telescoping Arms shall be a Peerless-AV model DST975-4 and shall be located where indicated on the plans. Assembly and installation shall be done according to instructions provided by the manufacturer.

Visit [peerless-av.com](http://peerless-av.com) to see the complete line of AV solutions from Peerless-AV, including outdoor displays, wireless, kiosks, digital audio, display mounts, projector mounts, carts/stands, and a full assortment of accessories.

**Peerless-AV**  
 2300 White Oak Circle  
 Aurora, IL 60502 USA  
**(800) 865-2112**  
**(630) 375-5100**  
**Fax: (800) 359-6500**

**Peerless-AV Europe**  
 Unit 3 Watford Interchange  
 Colonial Way, Watford  
 Herts, WD24 4WP  
 United Kingdom  
**+44 (0) 1923 200100**  
**Fax: +44 (0) 1923 200101**

**Peerless-AV de México**  
 Ave de las Industrias 413  
 Parque Industrial Escobedo  
 Escobedo, N.L.,  
 Mexico 66050  
**+52 (81) 8384-8300**  
**Fax: +52 (81) 8384-8360**

