

SR575M



Mounting Pattern
200 x 200 up to
600 x 400mm



Max Load
150lb (68.2kg) display
10lb (4.55kg) per shelf

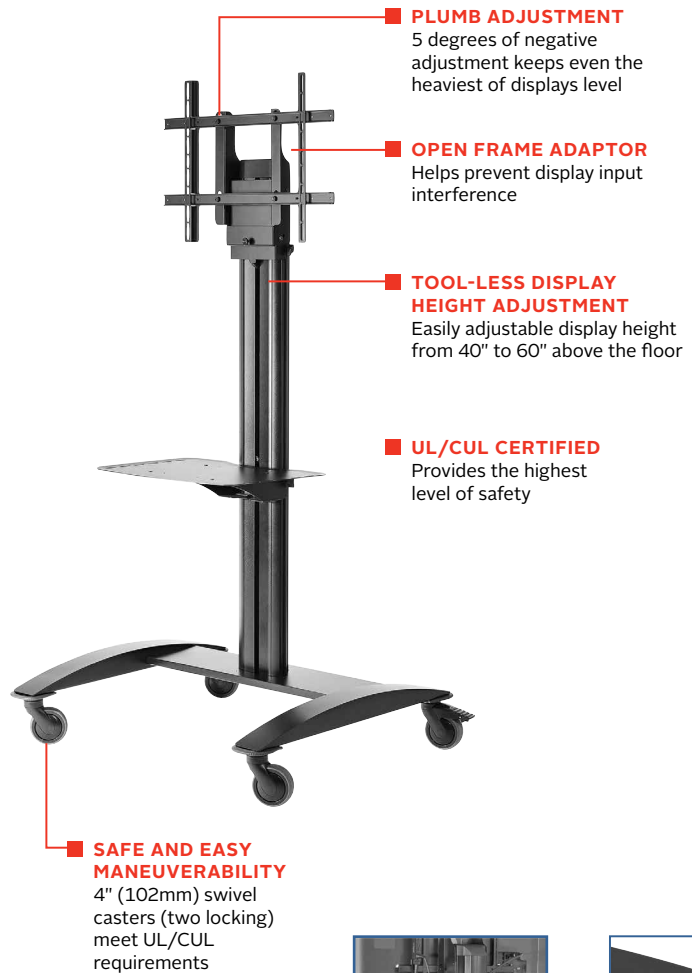
SMARTMOUNT.

Full Featured Flat Panel Cart

FOR 32" TO 75" DISPLAYS

The SR575M SmartMount® Full Featured Flat Panel Cart takes our standard cart to the next level, making everyday usage more enjoyable. Height adjustment of the display and component shelf can be done without the removal of the display - Simply reposition the display to your desired height. Non-marring bumpers on each corner of the cart make it easy to move from room to room, while the UL® certification ensures that it can be done safely.

- Integrated cable management protects, contains and conceals cables for a clean, professional installation
- Pre-assembled base provides rigidity, stability and quick assembly
- Textured black powder coat finish helps to hide finger prints and dust
- Component shelf can be positioned anywhere along the column by simply lifting and repositioning
- Universal display adaptor fits mounting patterns from 200 x 200mm to 600 x 400mm and allows mounting in landscape or portrait orientation
- Cart includes (4) plastic base pads for instances when casters are not needed



Cable management allows cables to enter or exit anywhere along the column.



Corner bumpers protect walls and doorways from damage.



SR575M SmartMount® Full Featured Flat Panel Cart for 32" to 75" Displays

Product Specifications

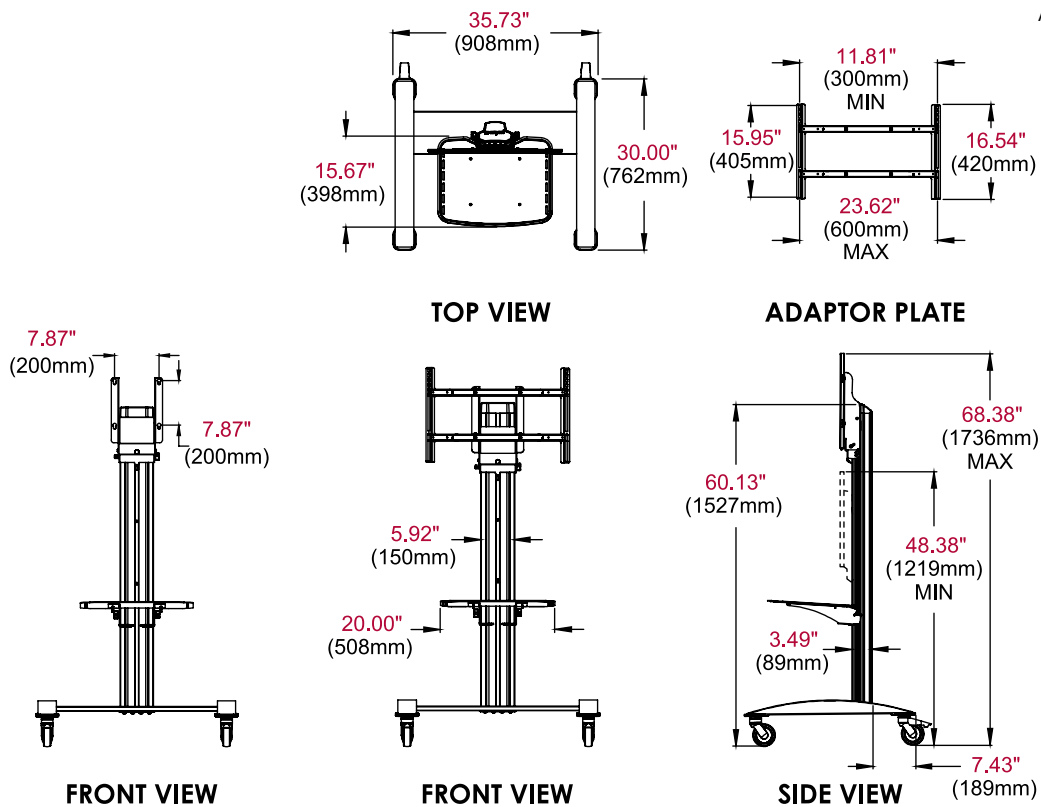
	DIMENSIONS (W X H X D)	PRODUCT WEIGHT	LOAD CAPACITY	FINISH	AVAILABLE COLORS
SR575M	35.73" x 68.38" x 30.00" (908 x 1736 x 762mm)	70lb (31.8kg)	150lb (68.2kg) display 10lb (4.55kg) per shelf	Textured Powder Coat	Black

Package Specifications

	PACKAGE SIZE (W x H x D)	PACKAGE SHIP WEIGHT	PACKAGE UPC CODE	PACKAGE CONTENTS	UNITS IN PACKAGE
SR575M	47.50" x 7.25" x 38.50" (1207 x 184 x 978mm)	83lb (37.7kg)	735029304265	Assembled Base, Aluminum Column, Universal Display Adaptor, Metal Component Shelf, (2) Swivel Casters, (2) Locking Swivel Casters, (4) Corner Bumpers, (4) Plastic Base Pads, Hardware & Instructions	1

Accessories

- | | |
|---|--|
| ACC310: Leveling Feet Accessory | ACC-V900X: 600, 800 and 900mm VESA® Adaptor |
| ACC316: Safety Belt | ACC-VCS: Video Conferencing Camera Shelf |
| ACC320: Electrical Outlet Strip with Cord Wrap | DSX750: Media Player Storage |
| ACC-LA: Laptop Arm | MIS995: 800mm VESA® Adaptor |
| ACC-MS: Metal Shelf | MOD-UNL2: Large Universal Adaptor |
| ACC-UCM: Universal AV Component Mount | RM12C: Rotational Mount Interface |



Architect Specifications

The SmartMount® Full Featured Flat Panel Cart shall be a Peerless-AV model SR575M and shall be located where indicated on the plans. Assembly and installation shall be done according to instructions provided by the manufacturer.

Visit peerless-av.com to see the complete line of AV solutions from Peerless-AV, including outdoor displays, wireless, kiosks, digital audio, display mounts, projector mounts, carts/stands, and a full assortment of accessories.

Peerless-AV
 2300 White Oak Circle
 Aurora, IL 60502 USA
(800) 865-2112
(630) 375-5100
Fax: (800) 359-6500

Peerless-AV EMEA
 Unit 3 Watford Interchange
 Colonial Way, Watford
 Herts, WD24 4WP
 United Kingdom
+44 (0) 1923 200100
Fax: +44 (0) 1923 200101

Peerless-AV Latin America
 Ave de las Industrias 413
 Parque Industrial Escobedo
 Escobedo, N.L.,
 Mexico 66062
+52 (81) 8384-8300
Fax: +52 (81) 8384-8360

