

PT650



	<b>Mounting Pattern</b> 750 x 405mm (29.52" x 15.95")		<b>Max Load</b> 150lb (68kg)
--	---	--	------------------------------------

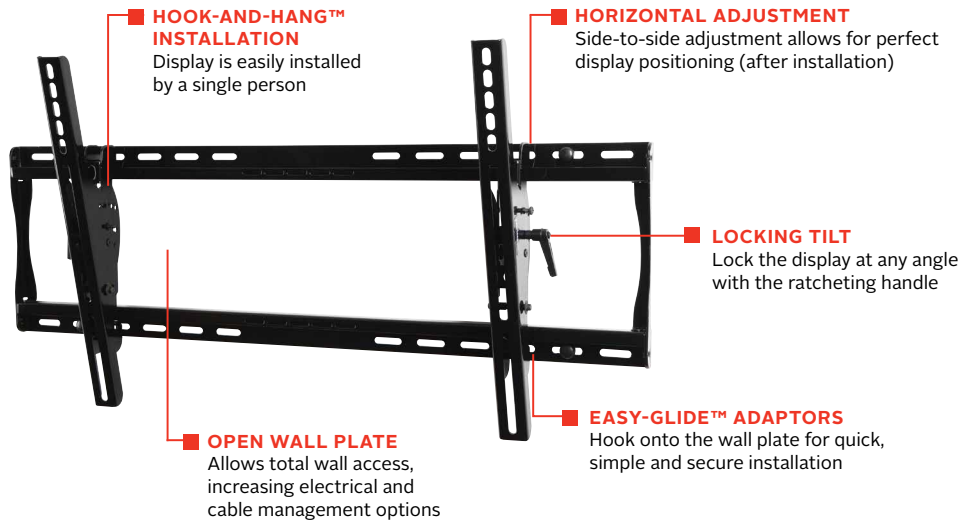
# PARAMOUNT™

## Universal Tilt Wall Mount

FOR 39" TO 75" DISPLAYS

The Paramount™ series wall mounts provide versatile and multi-functional features. With PT650, a low-profile design positions the display just 2.63" (67mm) from the wall. The Hook-and-Hang™ system offers easy, one-person installation of the display. The Easy-Glide™ adaptors hook onto the wall plate for a quick, simple, and secure installation. After installation, achieve perfect display positioning with side-to-side adjustment capabilities. A ratcheting handle provides locking tilt capability for quick adjustments to the amount of tilt, reducing glare and optimizing the viewing angle. Lock the tilt angle to prevent tampering or moving with the IncreLok™ tilt technology.

- Universal mount fits displays with mounting patterns up to 750 x 405mm (29.52" W x 15.95" H) and accommodates up to 600 x 400mm VESA® patterns
- Adjustable 15° forward tilt and 5° backward tilt for finding the optimal viewing angle
- Easy-Grip™ ratcheting handle locks tilt angle into place
- Included IncreLok™ feature offers fixed tilt lock in 5° increments when used
- Horizontal display adjustment up to 8.00" (203mm) for centering display on wall
- Includes all necessary wall and display attachment hardware
- Design is UL listed and tested to four times stated load capacity



+15°/-5° of tilt for versatile viewing angles.



Comes in color packaging with included installation hardware and easy to follow instructions.

Please visit [peerless-av.com/en-us/patents](http://peerless-av.com/en-us/patents) for patent information.

<b>PT650</b>	Paramount™ Universal Tilt Wall Mount for 39" to 75" Displays
--------------	--

**Product Specifications**

	DIMENSIONS (W x H x D)	PRODUCT WEIGHT	LOAD CAPACITY	FINISH	AVAILABLE COLORS
<b>PT650</b>	33.64" x 16.89" x 2.63"-5.50" (854 x 429 x 67-139mm)	8.15lb (3.70kg)	150lb (68kg)	Scratch Resistant Fused Epoxy	Gloss Black

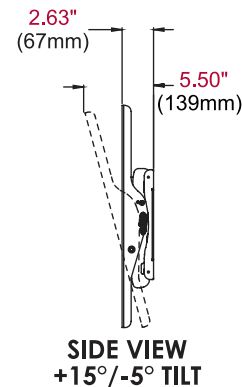
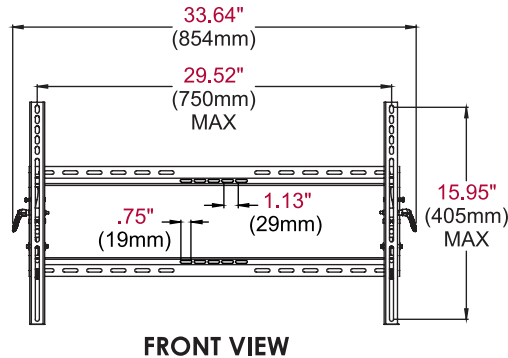
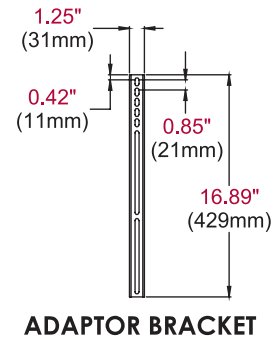
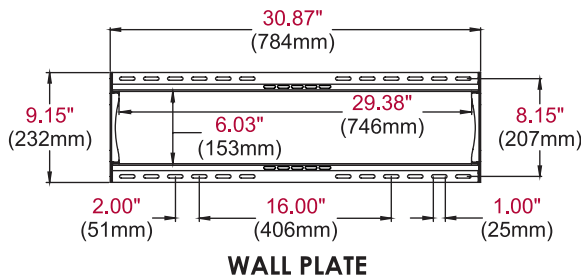
**Package Specifications**

	PACKAGE SIZE (W x H x D)	PACKAGE SHIP WEIGHT	PACKAGE UPC CODE	PACKAGE CONTENTS	UNITS IN PACKAGE
<b>PT650</b>	33.19" x 2.95" x 10.71" (843 x 75 x 272mm)	10.35lb (4.69kg)	735029254881	Wall Mount, Wall and Display Installation Hardware, Installation Instructions	1

**Accessories**

<b>ACC415:</b> 4-pack Metal Stud Fastener Kit	<b>ESHV models:</b> AV Wall Shelves
<b>ACC309:</b> Video Conference Shelf	<b>IBA4-W:</b> Easy Mount Recessed Low Voltage Cable Plate
<b>ACC-UCM:</b> Universal AV Component Mount	

All dimensions = inch (mm)



**Architect Specifications**

The Paramount™ Tilt Wall Mount shall be a Peerless-AV model PT650 and shall be located where indicated on the plans. Assembly and installation shall be done according to instructions provided by the manufacturer.

Visit [peerless-av.com](http://peerless-av.com) to see the complete line of AV solutions from Peerless-AV, including outdoor displays, wireless, kiosks, digital audio, display mounts, projector mounts, carts/stands, and a full assortment of accessories.

**Peerless-AV**  
2300 White Oak Circle  
Aurora, IL 60502 USA  
**(800) 865-2112**  
**(630) 375-5100**  
**Fax: (800) 359-6500**

**Peerless-AV EMEA**  
Unit 3 Watford Interchange  
Colonial Way, Watford  
Herts, WD24 4WP  
United Kingdom  
**+44 (0) 1923 200100**  
**Fax: +44 (0) 1923 200101**

**Peerless-AV Latin America**  
Ave de las Industrias 413  
Parque Industrial Escobedo  
Escobedo, N.L.,  
Mexico 66062  
**+52 (81) 8384-8300**  
**Fax: +52 (81) 8384-8360**

