

SA740P



Mounting Pattern
100 x 100, 200 x 100,
or 200 x 200mm



Max Load
80lb
(36kg)

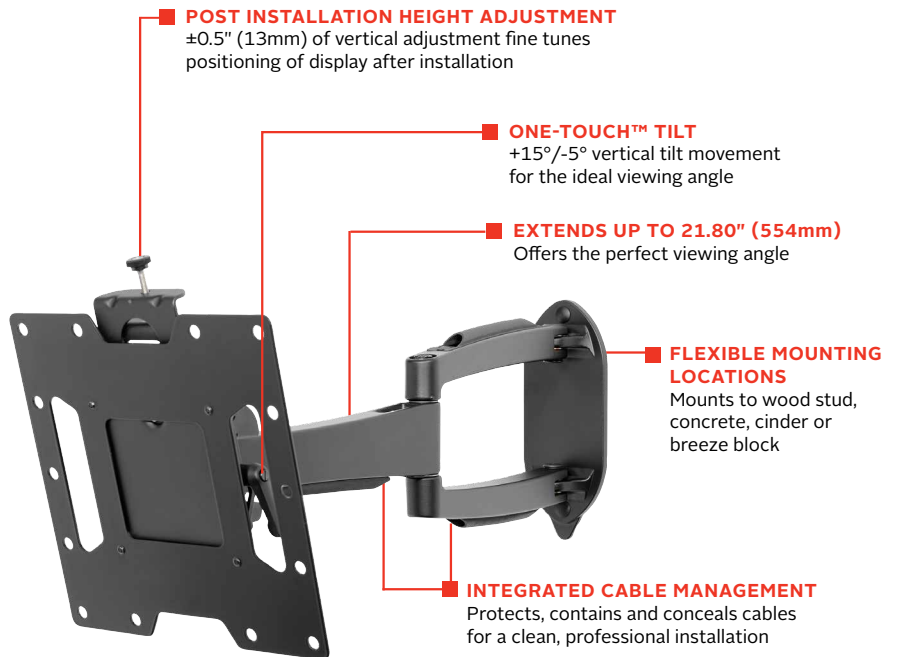
SMARTMOUNT

Articulating Wall Mount

FOR 22" TO 40" DISPLAYS

The SmartMount® Articulating Wall Mount series offers the most versatile installation features and mounting options. Vertical adjustment ability allows for post installation leveling, making it easier than ever to find the perfect display position. With SA740P, extend the display up to 21.80" (554mm) or fully-retract it to just 3.03" (77mm) from the wall for the perfect viewing position. The display can now simply be installed by a single person with the Hook-and-Hang™ system. One-Touch™ tilt technology offers +15°/-5° vertical tilt movement for the ideal viewing angle. Integrated cable management protects, contains and conceals cables for a clean installation.

- Accommodates 100 x 100, 200 x 100, or 200 x 200mm VESA® mounting patterns
- Retracts to hold display just 3.03" (77mm) from the wall
- ±90° of pivot allows for perfect display positioning
- Easy leveling ±5° after display installation
- Quick and easy, Hook-and-Hang™ one-person installation
- Landscape or portrait mounting options increases display versatility
- Includes all necessary wall and display attachment hardware
- Design is UL listed and tested to four times stated load capacity



Swivel, tilt, extend or retract the display for the perfect viewing angle.



Integrated cable management keeps cords and cables out of the way.



Comes in color packaging with included installation hardware and easy to follow instructions.



Please visit peerless-av.com/en-us/patents for patent information.

✉ info@peerless-av.com
🌐 peerless-av.com

peerless-AV®
Driving Technology Through Innovation

SA740P	SmartMount® Articulating Wall Mount for 22" to 40" Displays
---------------	---

Product Specifications

	DIMENSIONS (W x H x D)	PRODUCT WEIGHT	LOAD CAPACITY	FINISH	AVAILABLE COLORS
SA740P	14.32" x 10.15" x 3.03"-21.80" (364 x 258 x 77-554mm)	7.27lb (3.30 kg)	80lb (36kg)	Scratch Resistant Fused Epoxy	Semi-Gloss Black

Package Specifications

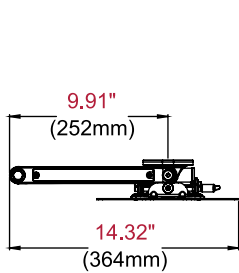
	PACKAGE SIZE (W x H x D)	PACKAGE SHIP WEIGHT	PACKAGE UPC CODE	PACKAGE CONTENTS	UNITS IN PACKAGE
SA740P	15.25" x 4.19" x 11.50" (387 x 106 x 292mm)	9.35lb (4.24 kg)	735029237327	Wall Mount, Wall and Display Installation Hardware, Installation Instructions	1

Accessories

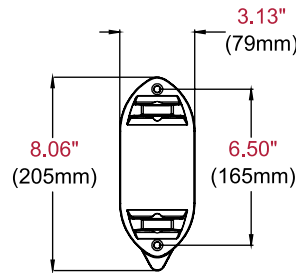
ACC4X4: VESA® 400 x 400mm Adaptor Plate
ACC-UCM: Universal AV Component Mount
ESHV models: AV Wall Shelves

IBA4-W: Easy Mount Recessed Low Voltage Cable Plate
IBA5-W: Recessed Low Voltage Media Plate with Duplex Surge Suppressor
RM12W: Rotational Mount Interface
WSP700/WSP701: Metal Stud Wall Plates for 16"/24" Center Metal Studs

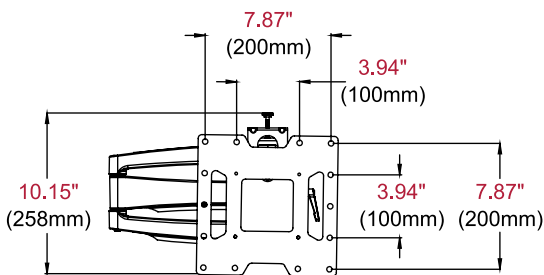
All dimensions = inch (mm)



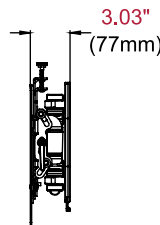
TOP VIEW



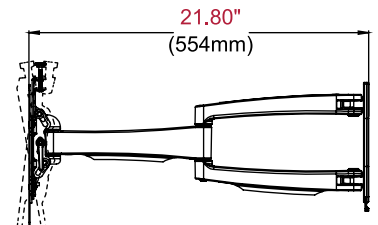
WALL PLATE DETAIL



FRONT VIEW



SIDE VIEW COLLAPSED



**SIDE VIEW EXTENDED
+15°/-5° TILT**

Architect Specifications

The SmartMount® Articulating Wall Mount shall be a Peerless-AV model SA740P and shall be located where indicated on the plans. Assembly and installation shall be done according to instructions provided by the manufacturer.

Visit peerless-av.com to see the complete line of AV solutions from Peerless-AV, including outdoor displays, wireless, kiosks, digital audio, display mounts, projector mounts, carts/stands, and a full assortment of accessories.

Peerless-AV
 2300 White Oak Circle
 Aurora, IL 60502 USA
(800) 865-2112
(630) 375-5100
Fax: (800) 359-6500

Peerless-AV EMEA
 Unit 3 Watford Interchange
 Colonial Way, Watford
 Herts, WD24 4WP
 United Kingdom
+44 (0) 1923 200100
Fax: +44 (0) 1923 200101

Peerless-AV Latin America
 Ave de las Industrias 413
 Parque Industrial Escobedo
 Escobedo, N.L.,
 Mexico 66062
+52 (81) 8384-8300
Fax: +52 (81) 8384-8360

