

PA750



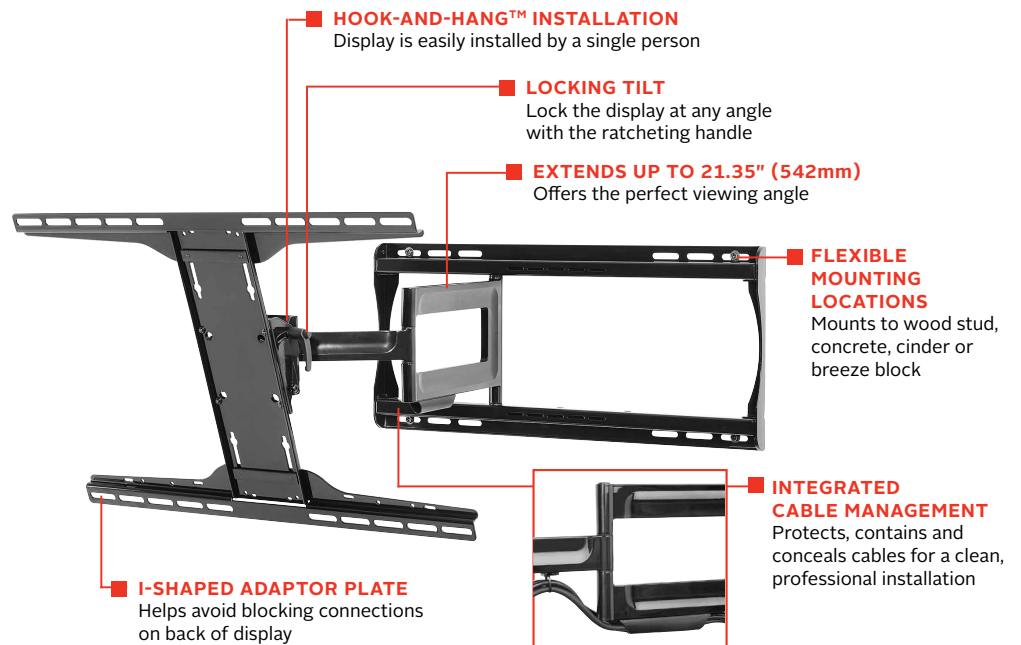
	Mounting Pattern 600 x 400mm (23.62" x 15.75")	Max Load 100lb (45kg)
--	---	------------------------------------

PARAMOUNT™ Articulating Wall Mount

FOR 39" TO 75" DISPLAYS

The Paramount™ series wall mounts provide versatile and multi-functional features. With PA750, extend the display up to 21.35" (542mm) or fully-retract it to just 3.00" (76mm) from the wall for the perfect viewing angle. The Hook-and-Hang™ system offers easy, one-person installation of the display. A ratcheting handle provides locking tilt capability for quick adjustments to the amount of tilt, reducing glare and optimizing the viewing angle. Integrated cable management protects, contains and conceals cables for a clean installation.

- Universal mount accommodates 200 x 100 to 600 x 400mm VESA® mounting patterns
- Extends 21.35" (542mm) from the wall
- Retracts to 3.00" (76mm) to save space
- +15/-5° of tilt for optimal viewing angles
- Up to ±90° of pivot allows for perfect display positioning
- ±5° of roll for post installation display leveling
- Includes all necessary wall and display attachment hardware
- Design is UL listed and tested to four times stated load capacity



Please visit peerless-av.com/en-us/patents for patent information.



Swivel, tilt, extend or retract the display for the perfect viewing angle.



Comes in color packaging with included installation hardware and easy to follow instructions.

PA750	Paramount™ Articulating Wall Mount for 39" to 75" Displays
--------------	--

Product Specifications

	DIMENSIONS (W x H x D)	PRODUCT WEIGHT	LOAD CAPACITY	FINISH	AVAILABLE COLORS
PA750	24.38" x 16.75" x 3.00"-21.35" (619 x 425 x 76-542mm)	16.75lb (7.60kg)	100lb (45kg)	Scratch Resistant Fused Epoxy	Gloss Black

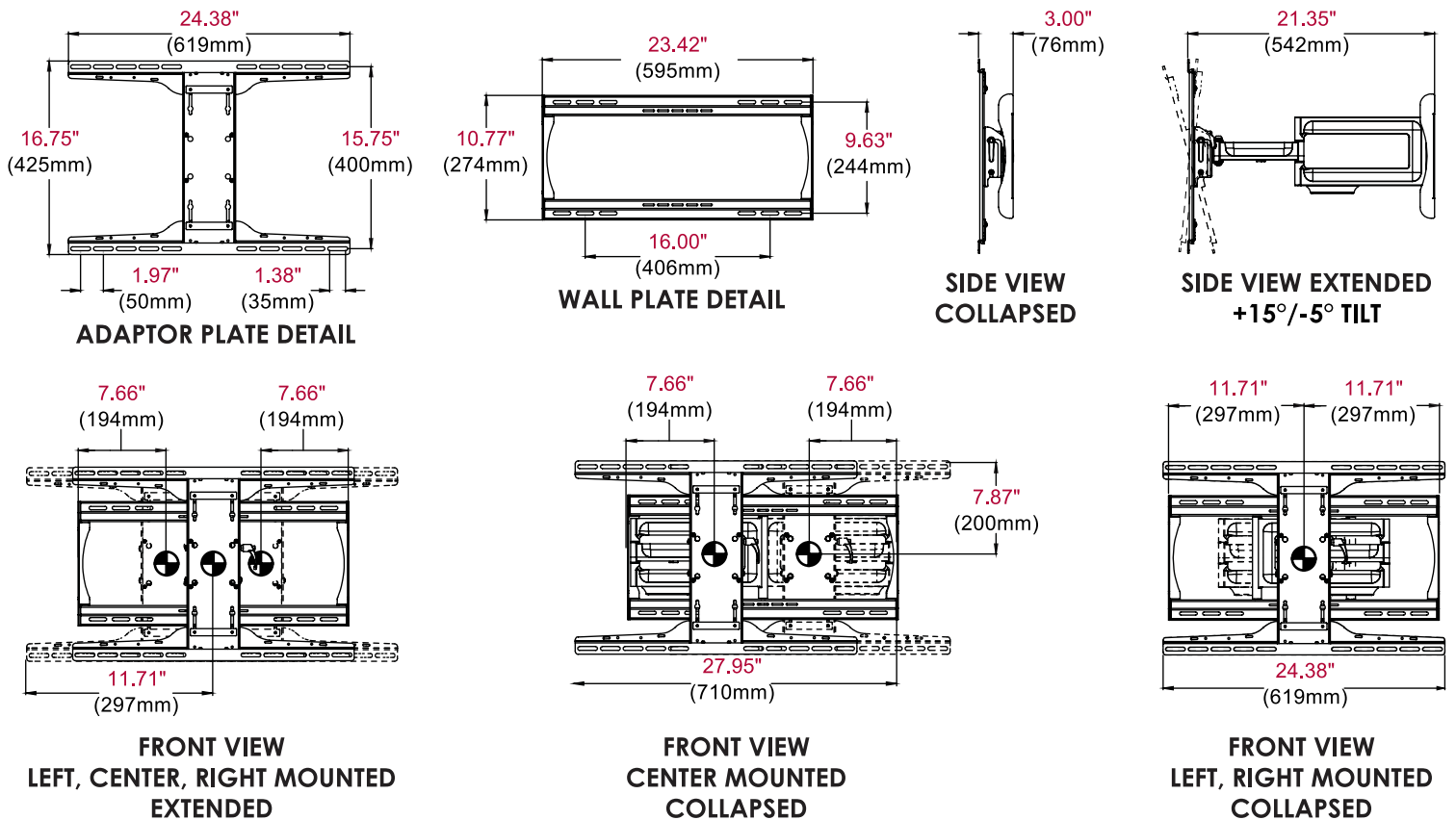
Package Specifications

	PACKAGE SIZE (W x H x D)	PACKAGE SHIP WEIGHT	PACKAGE UPC CODE	PACKAGE CONTENTS	UNITS IN PACKAGE
PA750	27.50" x 4.31" x 13.88" (699 x 109 x 353mm)	19.00lb (8.62kg)	735029308393	Wall Mount, Wall and Display Installation Hardware, Installation Instructions	1

Accessories

ACC-UCM: Universal AV Component Mount
ESHV models: AV Wall Shelves

All dimensions = inch (mm)



Architect Specifications

The Paramount™ Articulating Wall Mount shall be a Peerless-AV model PA750 and shall be located where indicated on the plans. Assembly and installation shall be done according to instructions provided by the manufacturer.

Visit peerless-av.com to see the complete line of AV solutions from Peerless-AV, including outdoor displays, wireless, kiosks, digital audio, display mounts, projector mounts, carts/stands, and a full assortment of accessories.

Peerless-AV
 2300 White Oak Circle
 Aurora, IL 60502 USA
(800) 865-2112
(630) 375-5100
Fax: (800) 359-6500

Peerless-AV EMEA
 Unit 3 Watford Interchange
 Colonial Way, Watford
 Herts, WD24 4WP
 United Kingdom
+44 (0) 1923 200100
Fax: +44 (0) 1923 200101

Peerless-AV Latin America
 Ave de las Industrias 413
 Parque Industrial Escobedo
 Escobedo, N.L.,
 Mexico 66062
+52 (81) 8384-8300
Fax: +52 (81) 8384-8360

