

RMI2C



Max load
175lb (79kg)

Rotational Mount Interface for Carts and Stands

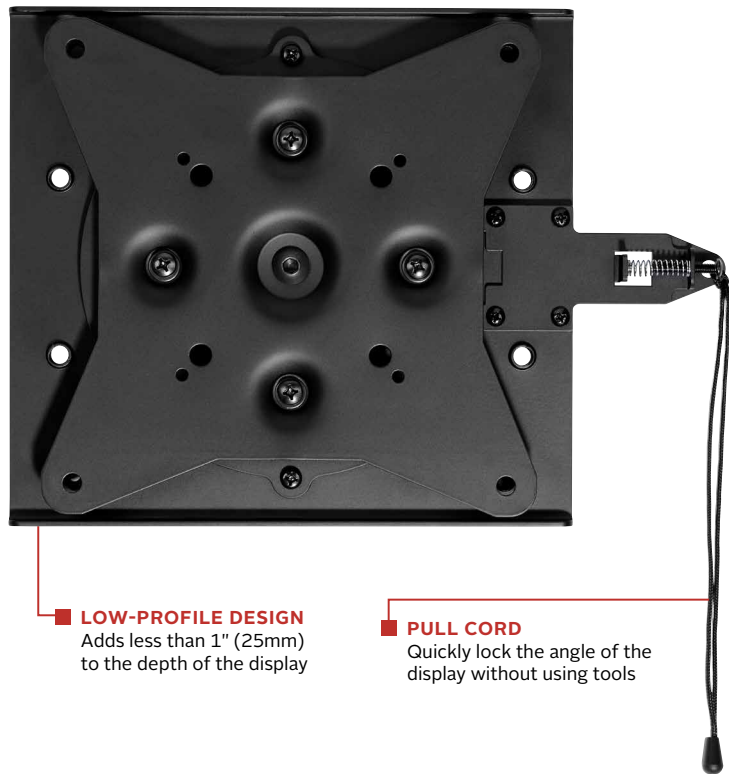
FOR ROTATING DISPLAYS FROM LANDSCAPE TO PORTRAIT

The RMI2C allows you to rotate a display from landscape to portrait orientation with a simple pull of the spring-loaded lever, eliminating the hassle of having to remove the screen from the mount. This mount interface allows the display on a cart or stand to be stored in portrait, which saves space and protects the display from accidental damage. In addition, the RMI2C enables a display to be easily rotated and set at 15-degree increments within 360-degrees, and is compatible with a variety of Peerless-AV® Carts and Stands. Ideal for standard or creative digital signage displays, the RMI2W allows for endless screen positioning.

Easily rotate a display from landscape to portrait to save storage space and protect your display from accidental damage.

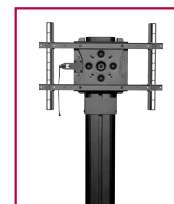
Additional Features

- ✓ Rotate landscape to portrait orientation without removing the screen
- ✓ Roll angle can be locked in 15° increments, creating endless screen positioning possibilities
- ✓ Screen can be rolled 360° without impediment, no tools required
- ✓ Tamper-resistant, spring-loaded lever with pull cord makes adjusting the screen's position simple
- ✓ Low-profile design adds less than 1" to any application
- ✓ Compatible with the following Peerless-AV® Carts & Stands: SR560, SR575, SR575M, SR575K, SS560, SS575K, FPZ-600 and FPZ-670

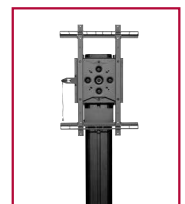


LOW-PROFILE DESIGN
Adds less than 1" (25mm) to the depth of the display

PULL CORD
Quickly lock the angle of the display without using tools



Landscape



Portrait

RoHS

RMI2C	Rotational Mount Interface for Carts and Stands
--------------	---

Product Specifications

	DIMENSIONS (W x H x D)	PRODUCT WEIGHT	LOAD CAPACITY	FINISH	AVAILABLE COLORS
RMI2C	14.16" x 9.50" x .97" (360 x 241 x 25mm)	6.7lb (3.04kg)	175lb (79kg)	Powder Coat	Black

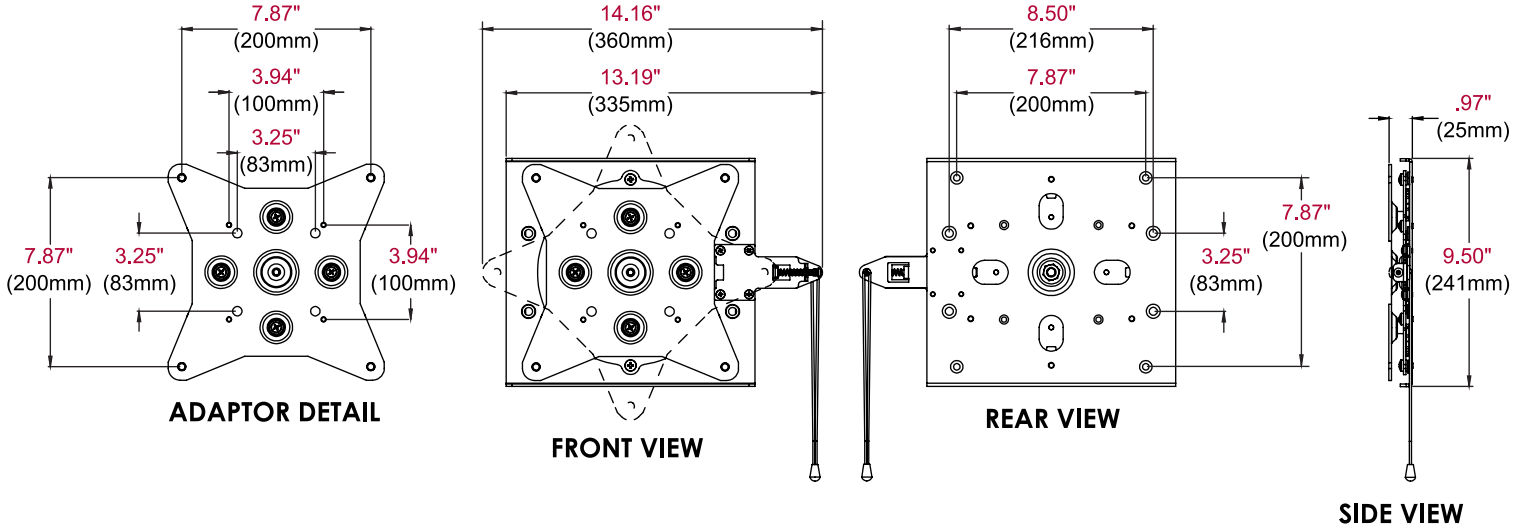
Package Specifications

	PACKAGE SIZE (W x H x D)	PACKAGE SHIP WEIGHT	PACKAGE UPC CODE	PACKAGE CONTENTS	UNITS IN PACKAGE
RMI2C	20.00" x 10.00" x 1.75" (508 x 254 x 44mm)	7.15lb (3.24kg)	735029315445	1 Rotational Mount	1

Compatible with the following Peerless-AV® Carts and Stands:

- SR560
- SR575
- SR575M
- SR575K
- SS560
- SS575K
- FPZ-600
- FPZ-670

All dimensions = inch (mm)



Architect Specifications

The Rotational Mount Interface for Carts and Stands shall be a Peerless-AV® model RMI2C and shall be located where indicated on the plans. Assembly and installation shall be done according to instructions provided by the manufacturer.

Visit peerless-av.com to see the complete line of AV solutions from Peerless-AV, including outdoor displays, wireless, kiosks, digital audio, display mounts, projector mounts, carts/stands, and a full assortment of accessories.

Peerless-AV
 2300 White Oak Circle
 Aurora, IL 60502 USA
(800) 865-2112
(630) 375-5100
Fax: (800) 359-6500

Peerless-AV Europe
 Unit 3 Watford Interchange
 Colonial Way, Watford
 Herts, WD24 4WP
 United Kingdom
+44 (0) 1923 200100
Fax: +44 (0) 1923 200101

Peerless-AV de México
 Ave de las Industrias 413
 Parque Industrial Escobedo
 Escobedo, N.L.,
 Mexico 66050
+52 (81) 8384-8300
Fax: +52 (81) 8384-8360

