

Features

- ▶ HDMI version 2.0b - 18Gbps for resolutions up to 4K UltraHD 60Hz
- ▶ Gold plated precision contacts, EMI resistance, low attenuation
- ▶ HDMI-A male to HDMI-A male, full-metal housing
- ▶ Hybrid cable - Fiber for A/V; copper for power & data, Ø 4.5/4.8mm
- ▶ AOC technology - no external power supply required

Connections

Connector Material	Full-Metal Plug
Contact Material	Gold-plated
Connector 1	HDMI-A Male
Dimensions Connector 1	ca. 48 x 19.6 x 9.8 mm
Connector 2	HDMI-A Male
Dimensions Connector 2	ca. 48 x 19.6 x 9.8 mm

Cable

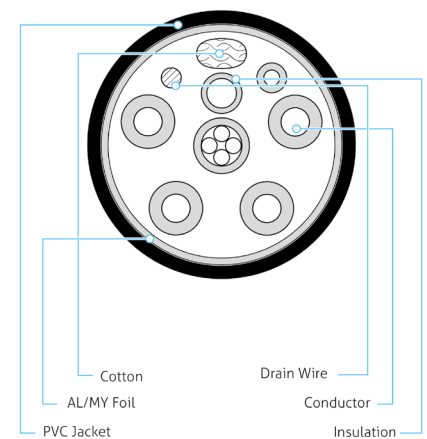
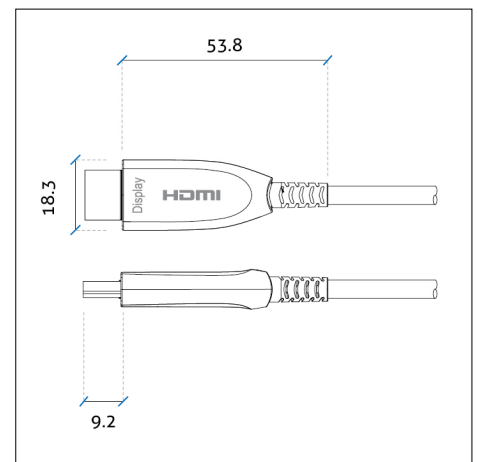
Type	AOC Fiber / Copper Hybrid Cable
Construction	4x 50/125µm OM3 Fiber, 7x OFC Copper
Optical Converter	4ch, 850nm VCSEL/PD
Jacket Outer Material	PVC
Cable Outer Diameter	4.5mm up to 15m, 4.8mm from 20m
Bending Radius	90mm up to 15m, 96mm from 20m
Sheath Printing	Meter Markings

Signal Transmission

Transmission Modes	AV via Fiber, Power and Data via Copper
Standard	HDMI v2.0b Compatible
Bandwidth	18 Gbps for 4K / UltraHD @60Hz
Power Transmission	5V HDMI

General

Transmission Distance	Up to 50m
Operation / Storage Temperature	-20-70°C / -25-80°C
Power Supply	No external Power Supply required (draws power from source device)
Operating Current	<45 mA
Power Consumption	<250 mW
Certification	CE, FCC, ROHS
Environmental Tests	Swing Test, Bend Test, Temp. Cycle Test



X-AOC210 Overview

Parent	Art.-No.	Length	Colour	EAN
X-AOC210	X-AOC210-100	10.00m	black	4251364723586
	X-AOC210-150	15.00m	black	4251364723593
	X-AOC210-200	20.00m	black	4251364723609
	X-AOC210-250	25.00m	black	4251364723616
	X-AOC210-300	30.00m	black	4251364723623
	X-AOC210-400	40.00m	black	4251364723630
	X-AOC210-500	50.00m	black	4251364723647